

**PLEASE CHECK WWW.MOLEX.COM FOR LATEST PART INFORMATION**

**Part Number:** [93303-0003](#)  
**Status:** **Active**  
**Overview:** SolarSpec™ Junction Box and Cable Assemblies  
**Description:** SolarSpec™ Socket Contact, 2.50mm<sup>2</sup> (14 AWG) Cable, Chain

**Documents:**

[Drawing \(PDF\)](#) [RoHS Certificate of Compliance \(PDF\)](#)  
[Product Specification PS-93301-001 \(PDF\)](#)

**General**

Product Family	Crimp Terminals
Series	<a href="#">93303</a>
Application	Power
Crimp Quality Equipment	Yes
Overview	<a href="#">SolarSpec™ Junction Box and Cable Assemblies</a>
Product Name	SolarSpec™
UPC	884982809192

**Physical**

Durability (mating cycles max)	50
Gender	Socket
Material - Metal	Copper Alloy
Material - Plating Mating	Silver over Nickel
Net Weight	1.121/g
Packaging Type	Reel
Wire Insulation Diameter	5.8mm – 7.8mm
Wire Size AWG	14
Wire Size mm <sup>2</sup>	2.5

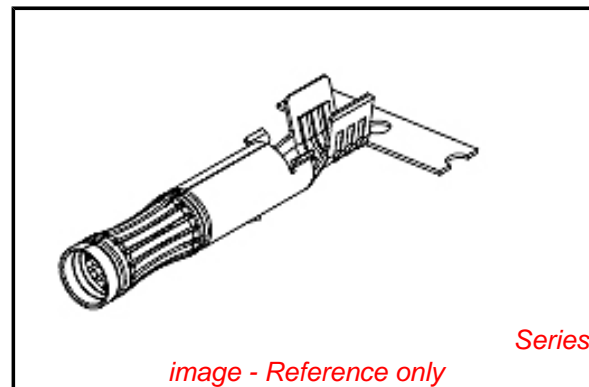
**Electrical**

Current - Maximum per Contact	35A
Voltage - Maximum	600V

**Material Info**

**Reference - Drawing Numbers**

Product Specification	PS-93301-001
Sales Drawing	SD-93303-001



**EU RoHS**

**ELV and RoHS  
Compliant**  
**REACH SVHC  
Contains SVHC: No**  
**Low-Halogen Status  
Low-Halogen**

**China RoHS**



**Need more information on product  
environmental compliance?**

Email [productcompliance@molex.com](mailto:productcompliance@molex.com)  
 For a multiple part number RoHS Certificate of Compliance, [click here](#)

Please visit the [Contact Us](#) section for any non-product compliance questions.

**Search Parts in this Series**

[93303Series](#)

**Mates With**

[93301](#)

**Use With**

[93301](#) SolarSpec™ DC Panel-Mount

**Application Tooling | [FAQ](#)**

*Tooling specifications and manuals are found by selecting the products below. Crimp Height Specifications are then contained in the Application Tooling Specification document.*

**Global**

Description	Product #
Hand Tool for Solar Pin and Socket Crimp Terminal Mini-Mac™	<a href="#">0638236400</a>
Applicator for Solar Pin and Socket	<a href="#">0638952900</a>

This document was generated on 09/10/2012

**PLEASE CHECK [WWW.MOLEX.COM](http://WWW.MOLEX.COM) FOR LATEST PART INFORMATION**