

Type APT Automotive Blade Fuse Tiny (Micro2™)



www.optifuse.com (619) 593-5050

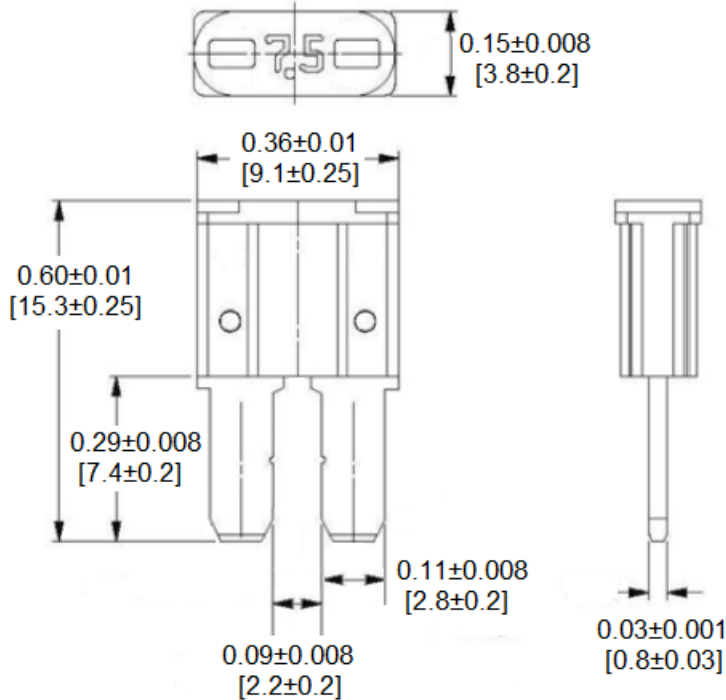
Specifications:

- Voltage: 32V DC
- Amperage: 5A, 7.5A, 10A, 15A, 20A, 25A, 30A
- Body: Nylon 66
- Terminals: Zinc Alloy
- Temperature Rating: -45° C ~ +125° C (-49° F ~ +257° F)
- Interrupting Rating: 1000A @ 32 VDC

Part Number	Amperage	Body Color
APT-5A	5A	Tan
APT-7.5A	7.5A	Brown
APT-10A	10A	Red
APT-15A	15A	Blue
APT-20A	20A	Yellow
APT-25A	25A	Natural
APT-30A	30A	Green

Time Characteristics:		
% of Rated Current	Min Hold Time	Max Hold Time
110%	>100h	
135%	750ms	120s
160%	300ms	50s
200%	150ms	5s
350%	40ms	500ms
600%	20ms	100ms

Mechanical Dimensions: Inches [mm]



<p>Warning:</p>	<p>-Operation beyond the specified maximum ratings or improper use may result in damage and possible electrical arcing and/or flame.</p> <p>-Avoid contact of device with chemical solvent. Prolonged contact will damage the device performance.</p>
------------------------	---