

10091767 - X 0 C - X 0 X L F

6-COLUMN DIFFERENTIAL SIGNAL

LEAD-FREE DESIGNATION ONLY WITH APPLICABLE PLATING CODES

LETTER	PERFORMANCE-BASED PLATING (SEE NOTE 2)	
	TARGET APPLICATION	LEAD FREE (LF)
B	TELCORDIA CO	NO
C	TELCORDIA UE	NO
D	TELCORDIA CO	YES
E	TELCORDIA UE	YES

MODULE DESCRIPTION	LETTER DESIGNATION REPRESENTED IN DASH NUMBER										BASE MODULE
LEFT POLARIZING GUIDANCE MODULE (SEE SHEET 3)	J	A	B	C	D	E	F	G	H		
RIGHT POLARIZING GUIDANCE MODULE (SEE SHEET 4)	Y	P	Q	R	S	T	U	V	W		
OPEN MODULE (TWO WALL) (SEE SHEET 2)	O (ZERO)										
LEFT WALL MODULE (SEE SHEET 5)	L										
RIGHT WALL MODULE (SEE SHEET 6)	M										
FOUR WALL MODULE (SEE SHEET 7)	1										

NUMBER	CONTACT MATING WIPE LENGTH		COMPLIANT PIN DRILL SIZE
	SIGNAL	WIDE GROUND	
1	2	4	Ø0.55 [0.0217"]
2	3	4	Ø0.55 [0.0217"]
3	2	4	Ø0.45 [0.0177"]
4	3	4	Ø0.45 [0.0177"]
5	2	3	Ø0.55 [0.0217"]
6	3	3	Ø0.55 [0.0217"]
7	2	3	Ø0.45 [0.0177"]
8	3	3	Ø0.45 [0.0177"]

	GROUNDED	UNGROUNDED
FINISHED	Ø2.35-2.55	Ø2.35-2.55
PAD	Ø5.50	N/A
PLATED	YES	NO
DRILL (mm/in)	2.58 / .1015	2.44 / .096

SCREW P/N	DESCRIPTION	BOARD THICKNESS
10091790-002LF	#2-56 X .375" PHILLIPS PANHEAD W/SQ CONICAL WASHER	1.60 - 5.00
10091790-003LF	#2-56 X .500" PHILLIPS PANHEAD W/SQ CONICAL WASHER	5.00 - 10.00

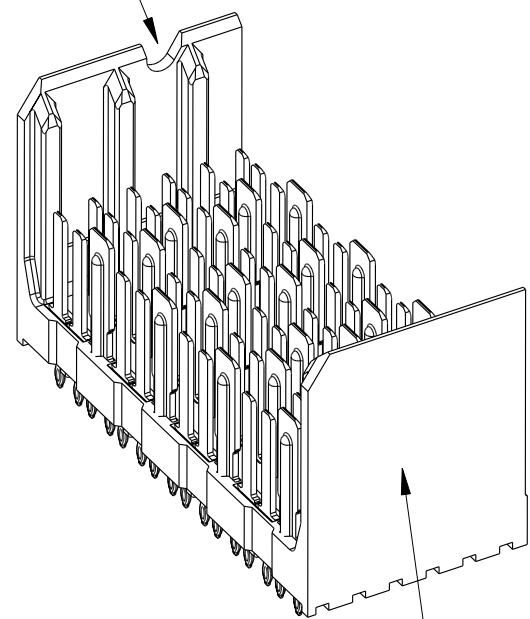
PRELIMINARY

spec ref	SEE NOTES	dr	W.J.SWAIN	2009-02-04	projection	MM	size	A2	scale	4:1
tolerance std	ASME Y14.5	eng	W.J.SWAIN	2009-02-04	chr	W.J.SWAIN	2009-02-04	ecn no		
surface	linear	0.X	±0.2	0.XX	±0.10	0.XXX	±0.050	angular	0°	±°
ASME Y14.5		www.fci.com		cat. no.	SEE P/N TREE	Product - Customer Drw	sheet 1 of 8	rev	4	

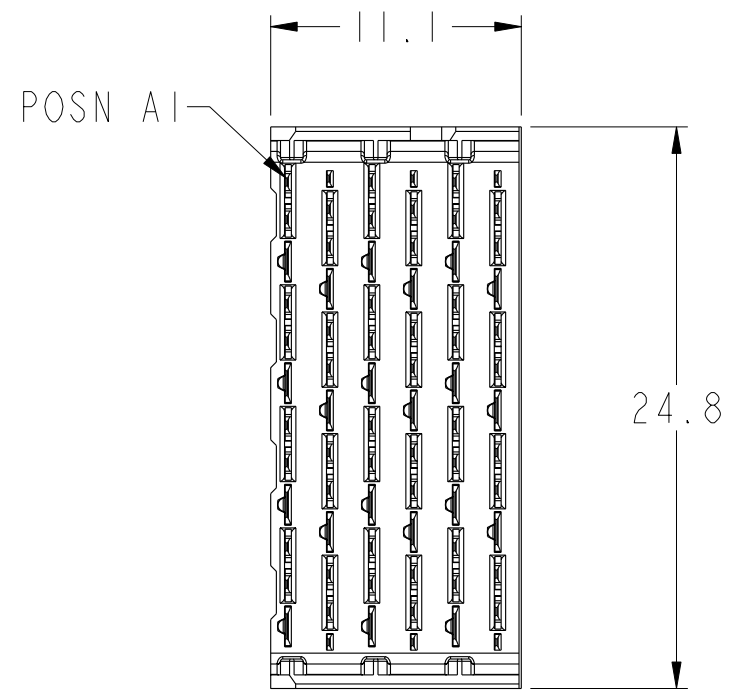
Copyright FCI. FCI

OPEN (2-WALL) MODULE

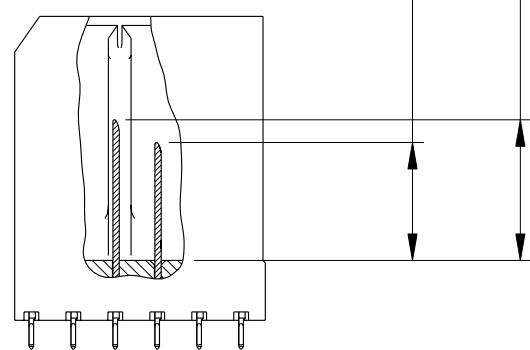
SEE NOTE 8



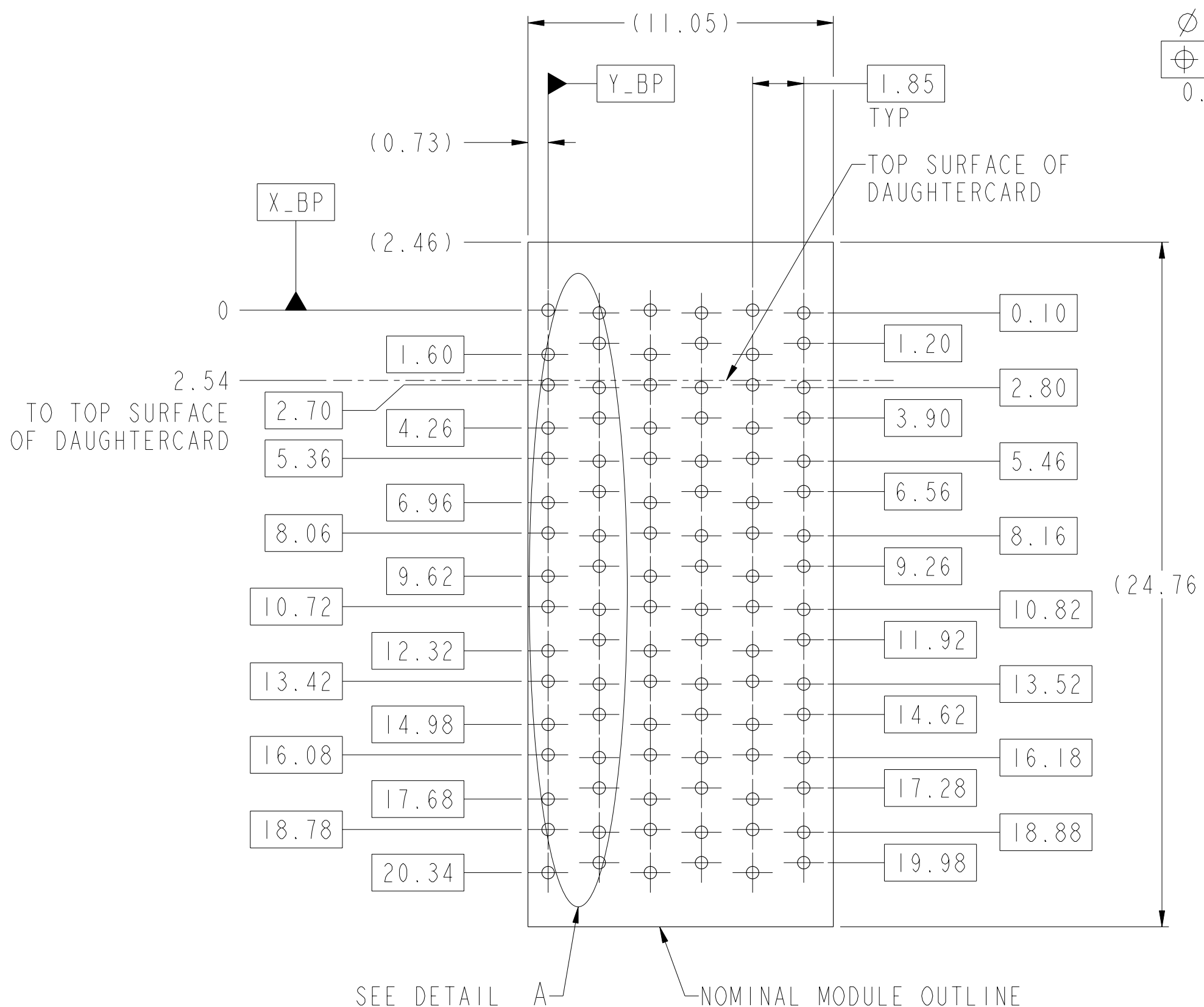
SEE NOTE 5



- 6.2 (WIDE GROUNDS)
- 5.2 (THIN END GROUNDS)
- 5.2 (3mm WIPE SIGNALS)
- 4.2 (2mm WIPE SIGNALS)
- SEE P/N TREE

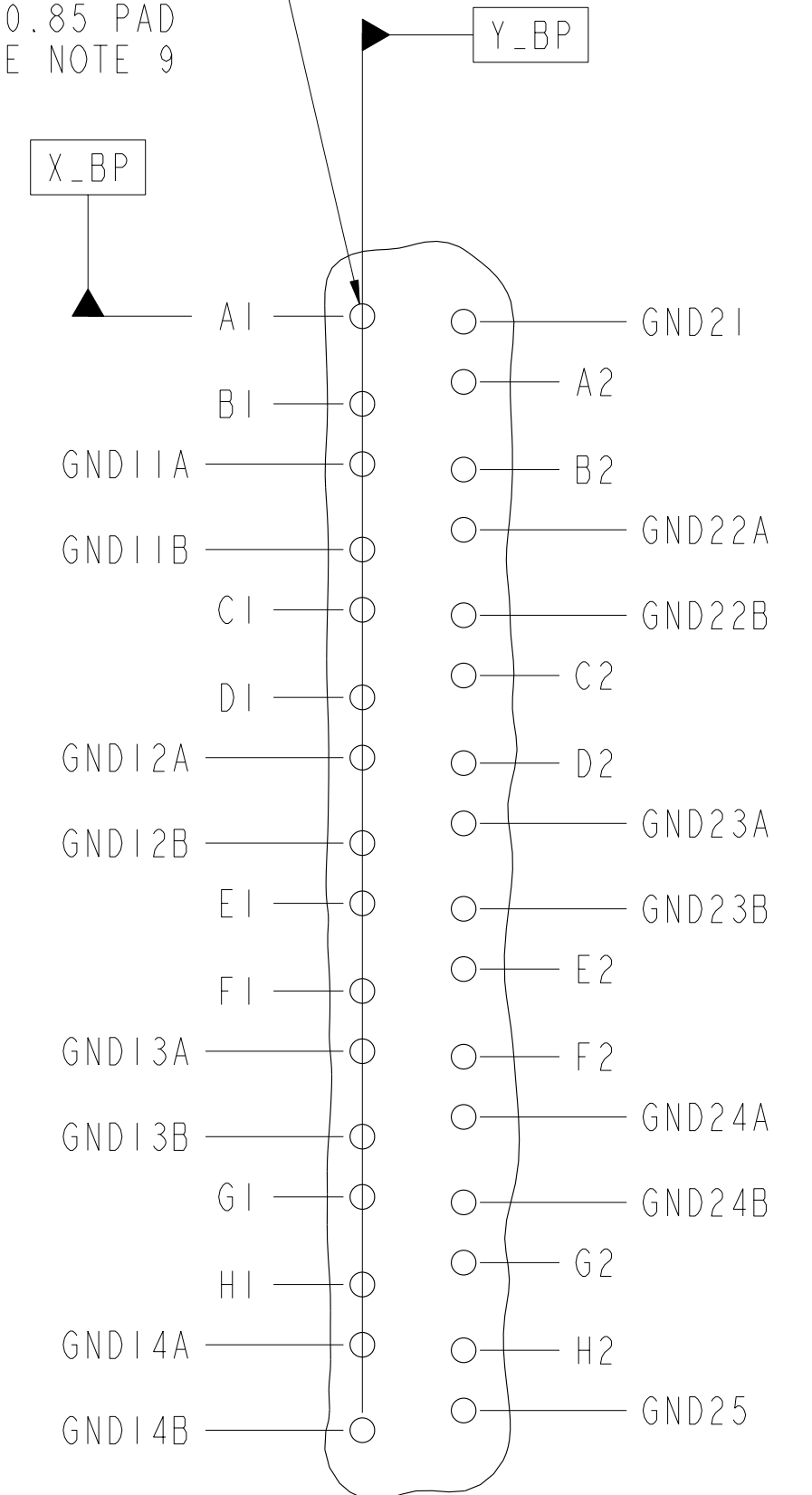


2.54
TO TOP SURFACE
OF DAUGHTERCARD

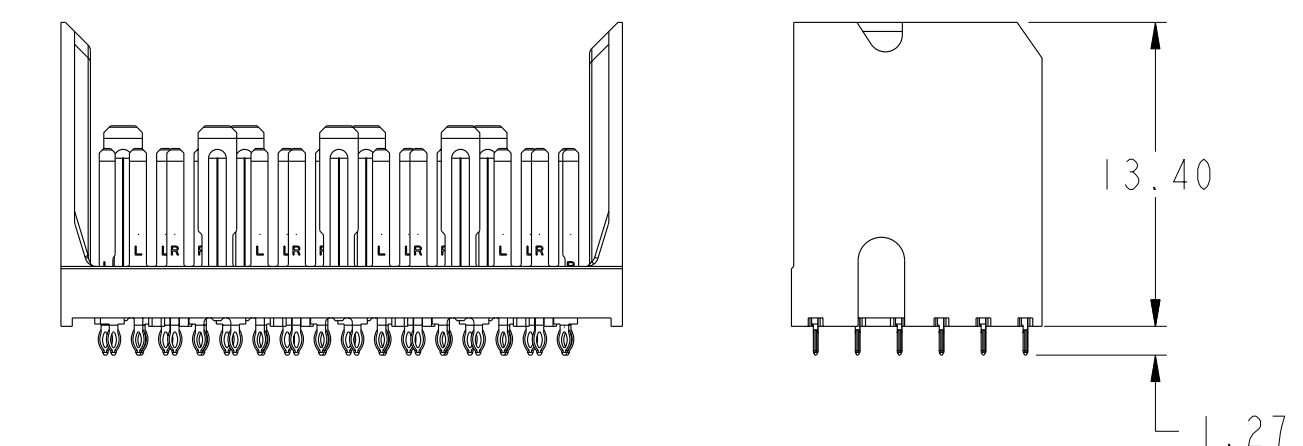


PCB HOLE PATTERN
COMPONENT SIDE
SCALE 6:1

$\varnothing 0.45 \pm 0.05$ PTH TYP
 $\varnothing 0.10$ A Y_BP X_BP
 0.55 [0.0217"] DRILL
 $\varnothing 0.85$ PAD
 SEE NOTE 9



DETAIL A
SCALE 8:1

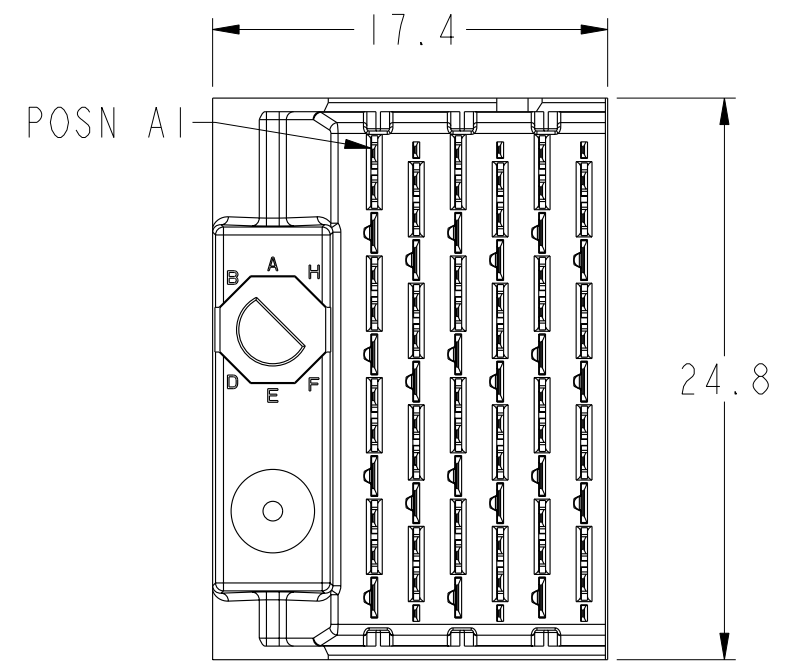
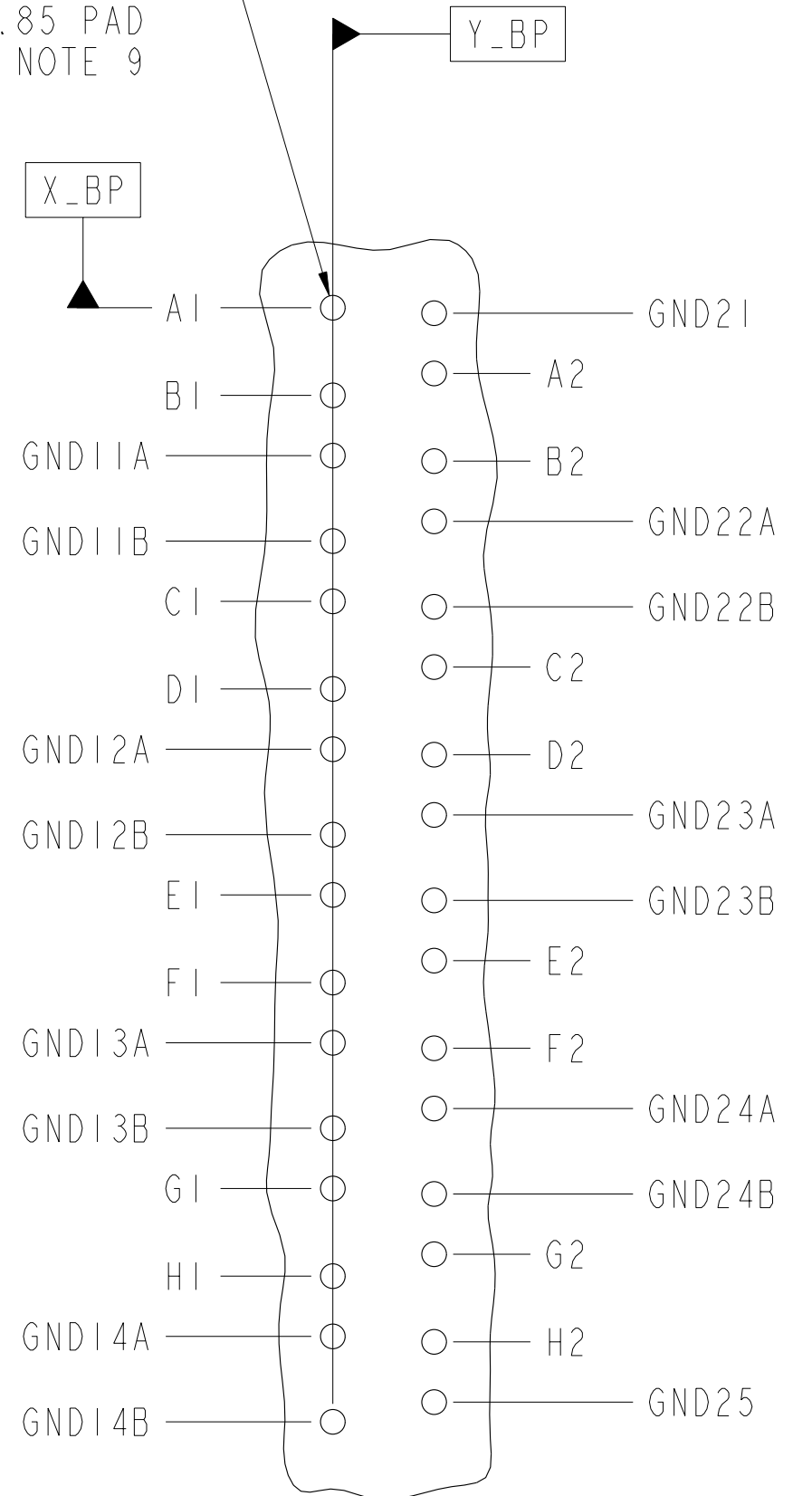
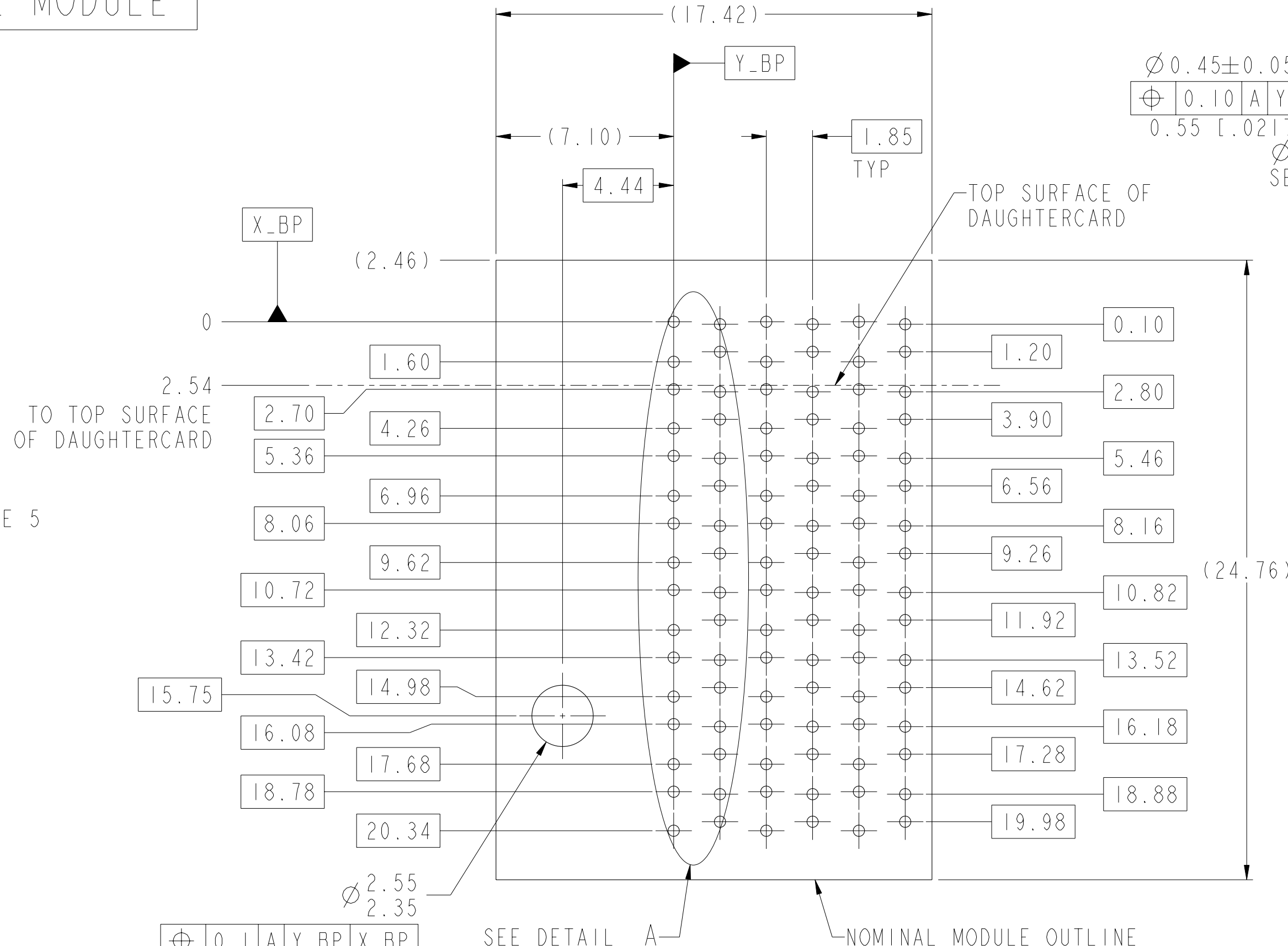
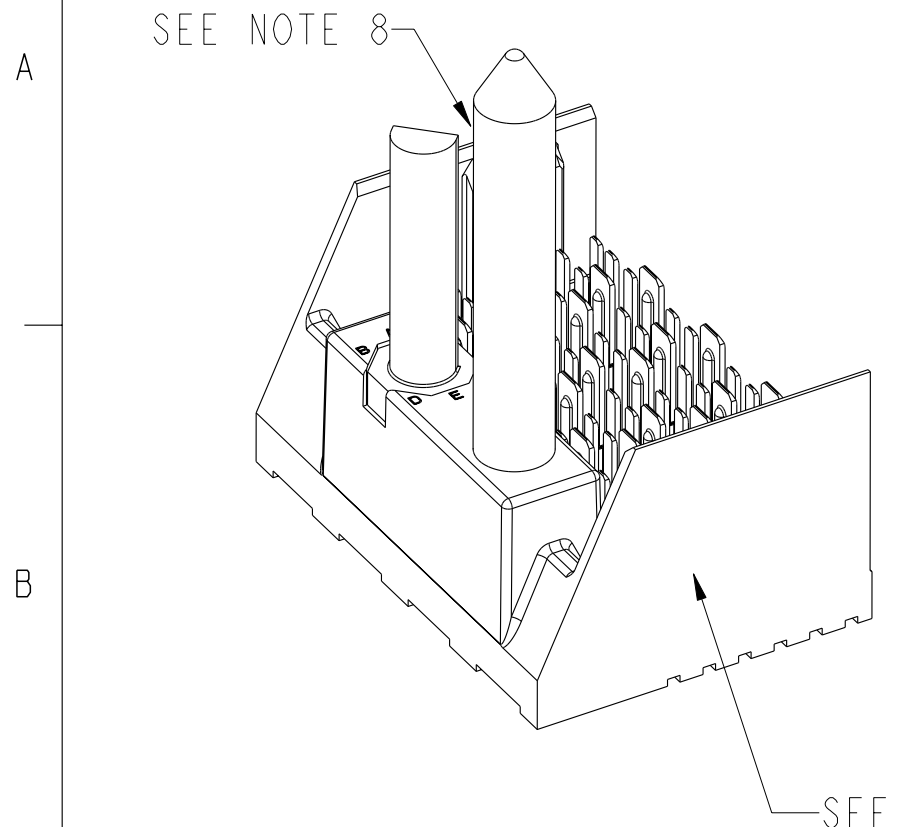


spec ref	SEE NOTES	dr	W.J.SWAIN	2009-02-04	projection	MM	size	A2	scale	4:1
tolerance std	ASME Y14.5	eng	W.J.SWAIN	2009-02-04	chr	W.J.SWAIN	2009-02-04	ecn no		
surface	✓	appr			product family	XCede	rel level	In Work		
linear	0.X ±0.2 0.XX ±0.10 0.XXX ±0.050	angular	0° ±°			TITLE MODULE ASSEMBLY VERTICAL HEADER, 6-COLUMN, 4-PAIR	dwg no 10091767	rev 4		
TOLERANCES UNLESS OTHERWISE SPECIFIED		www.fci.com		cat. no.	SEE P/N TREE	Product - Customer Drw	sheet 2 of 8			

PRELIMINARY

Copyright FCI.

LEFT POLARIZING/GUIDE MODULE



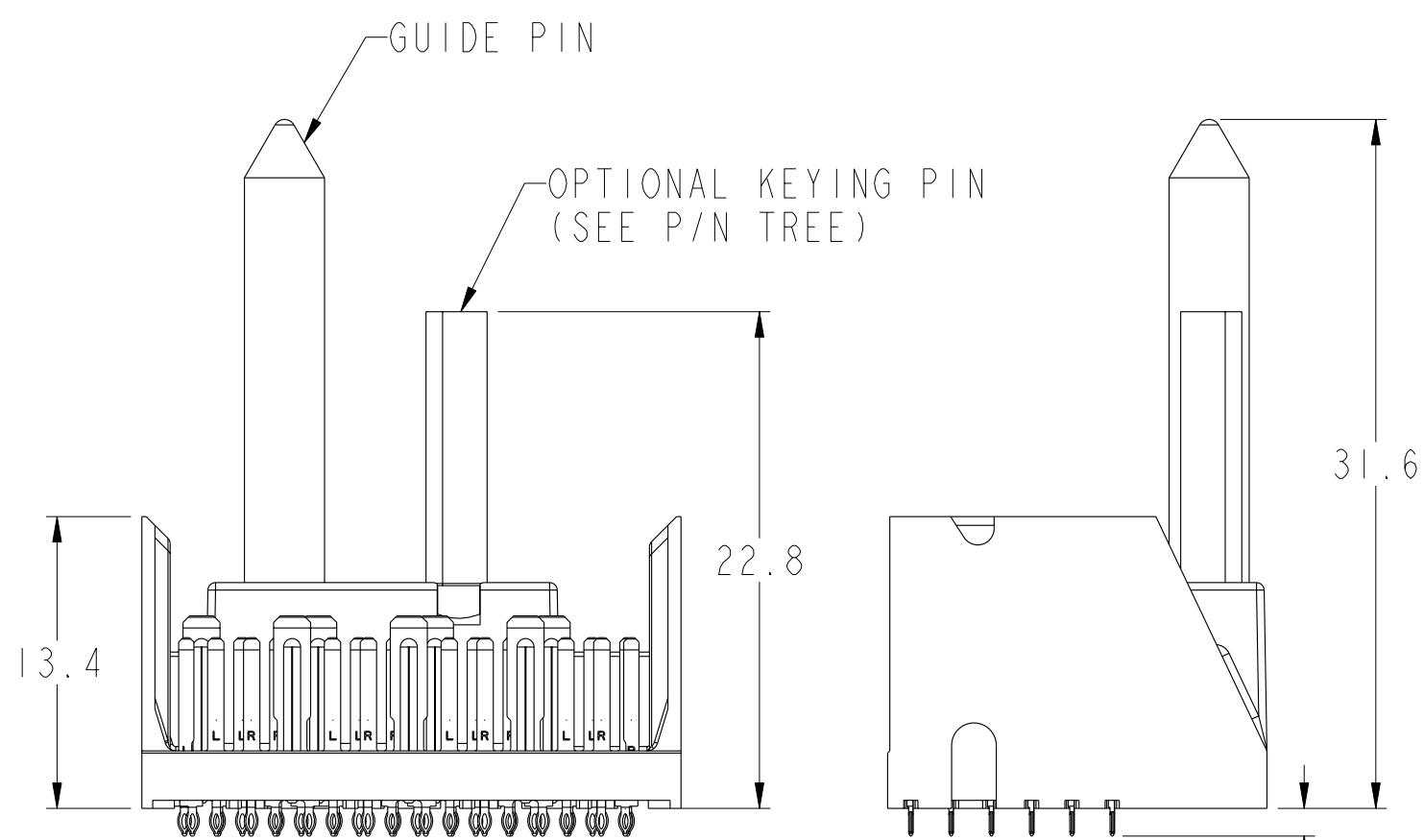
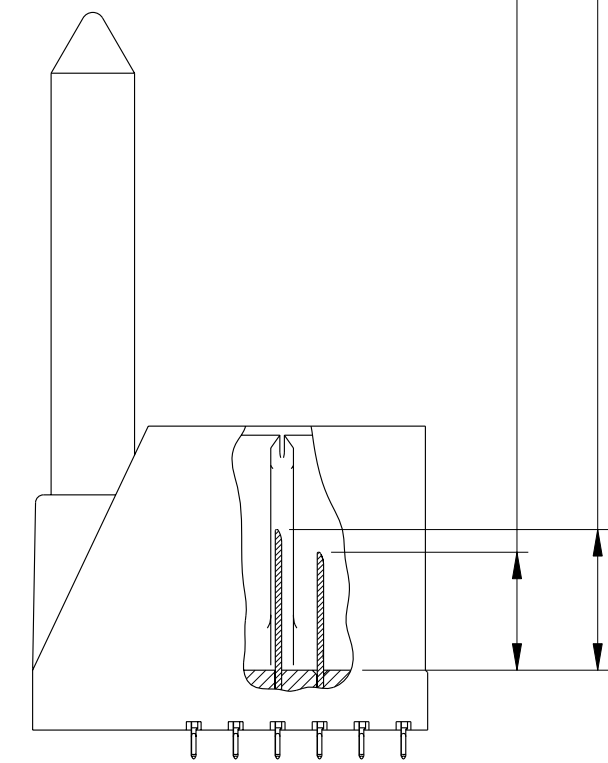
6.2 (WIDE GROUNDS)

5.2 (THIN END GROUNDS)

5.2 (3mm WIPE SIGNALS)

4.2 (2mm WIPE SIGNALS)

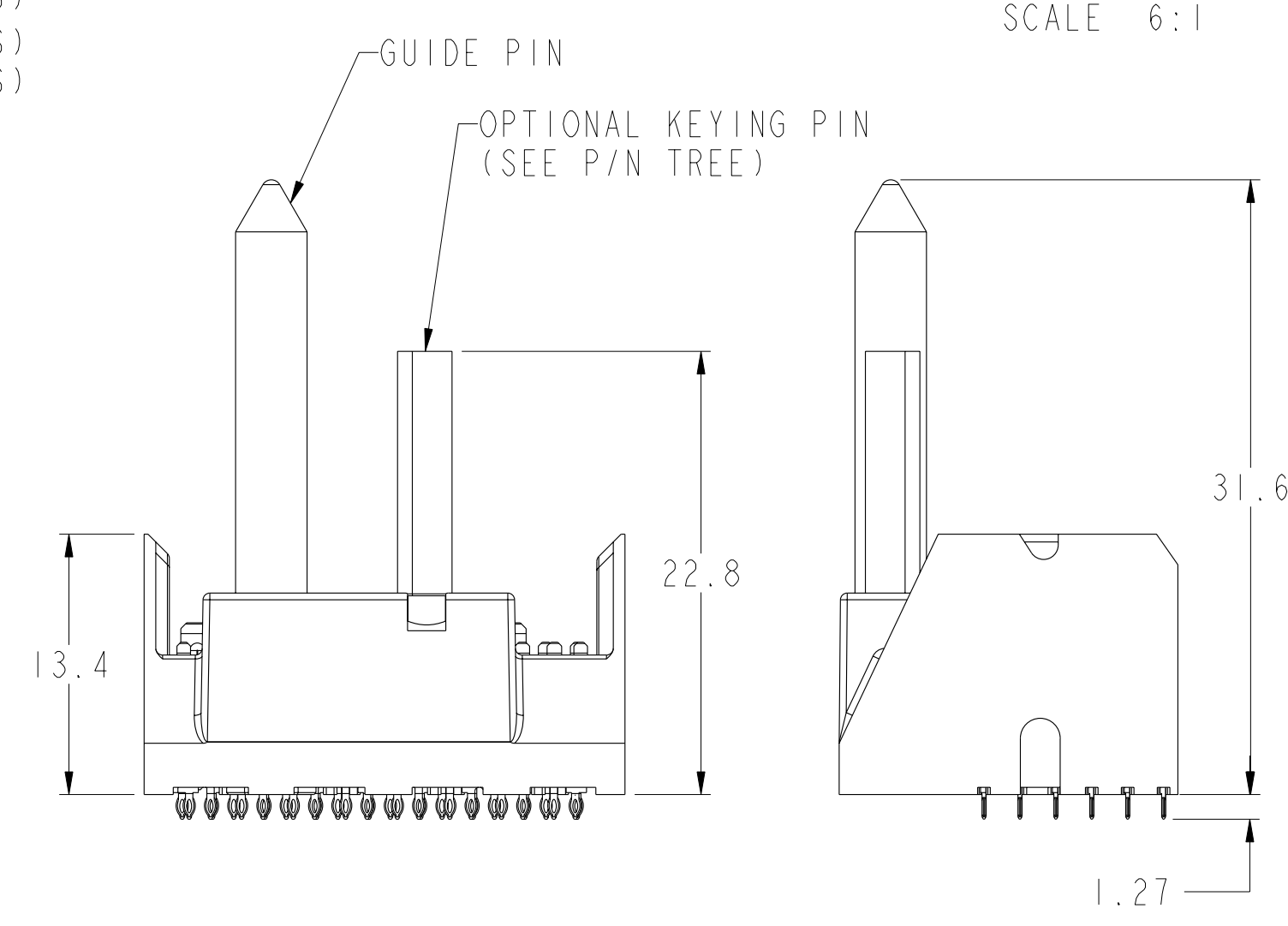
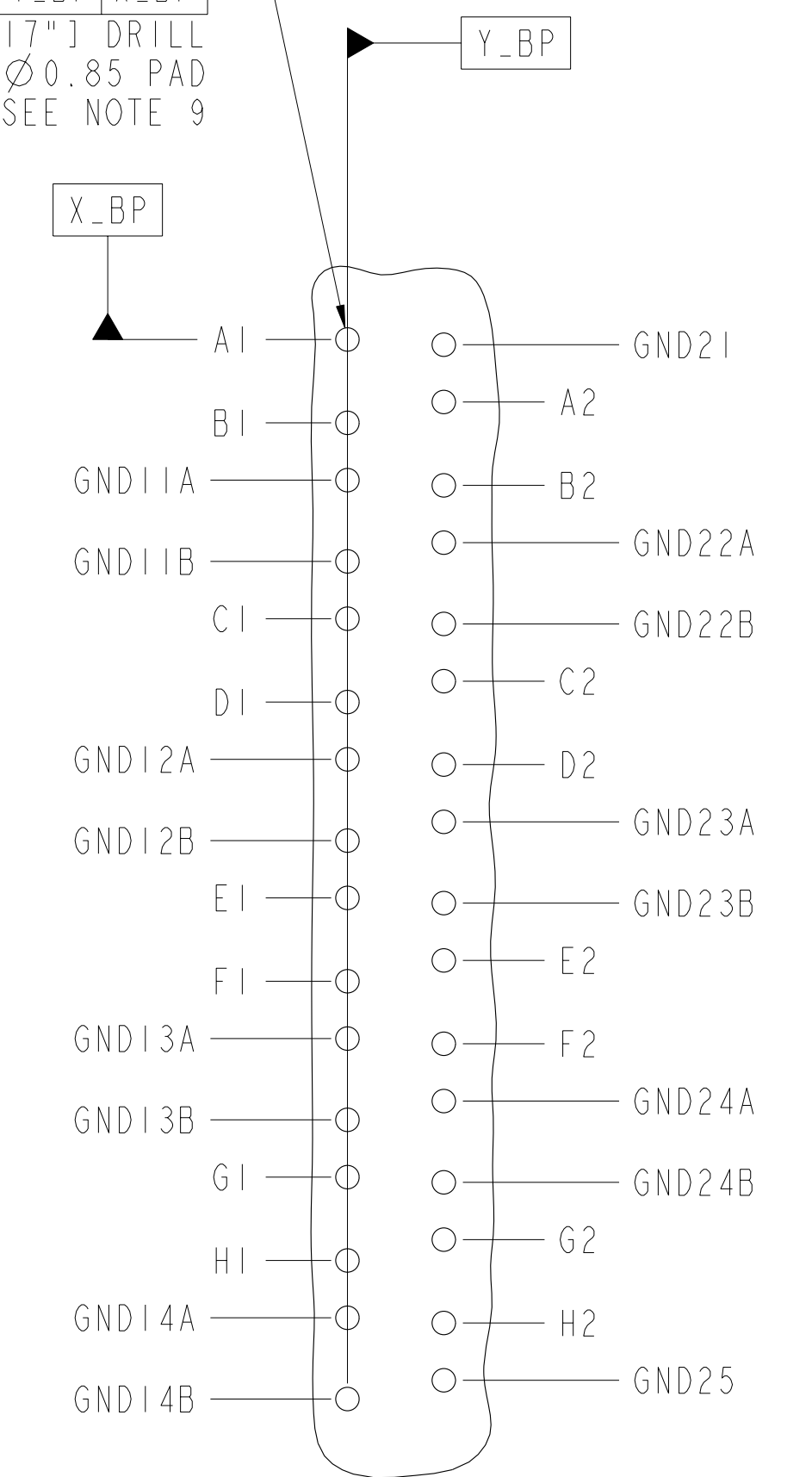
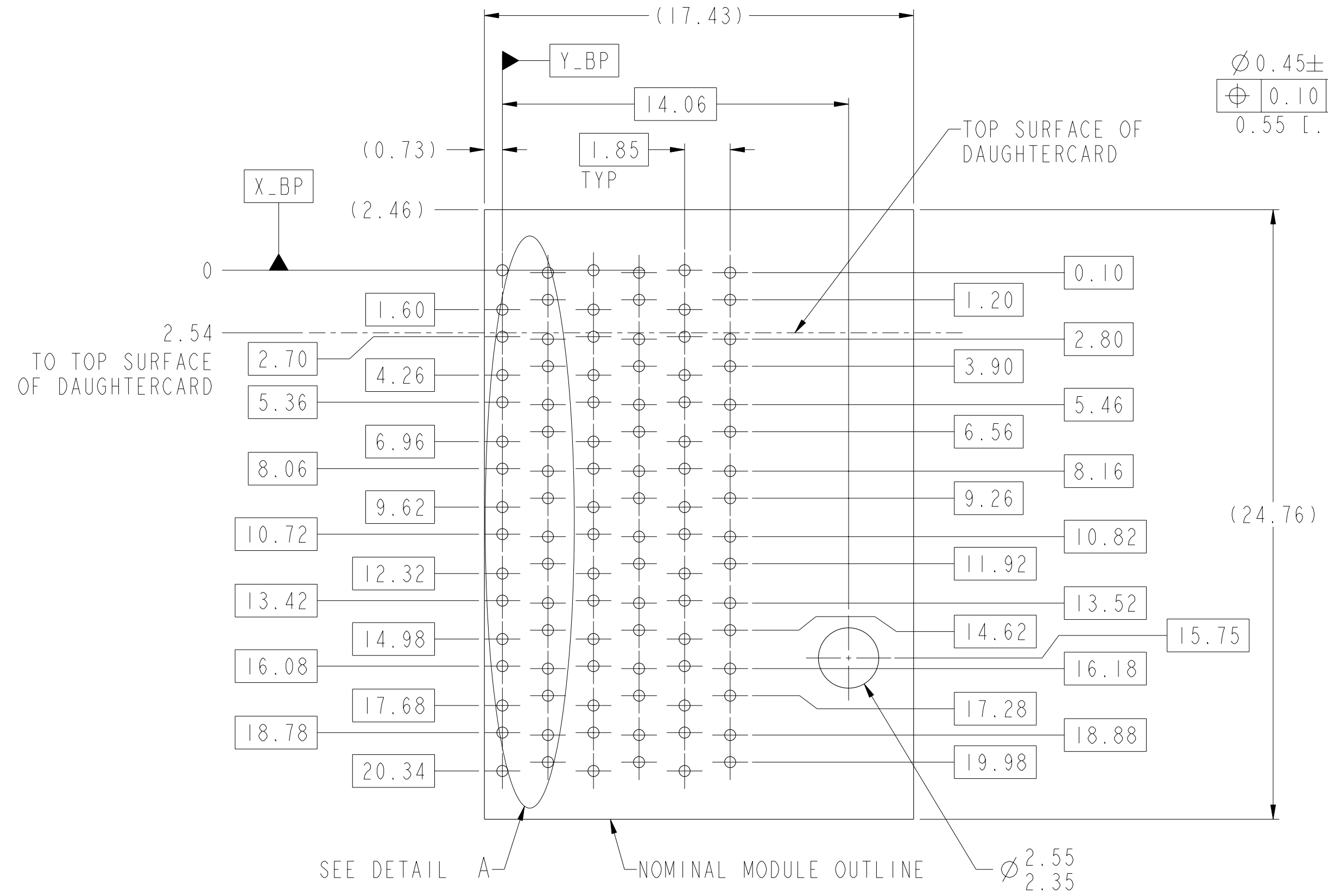
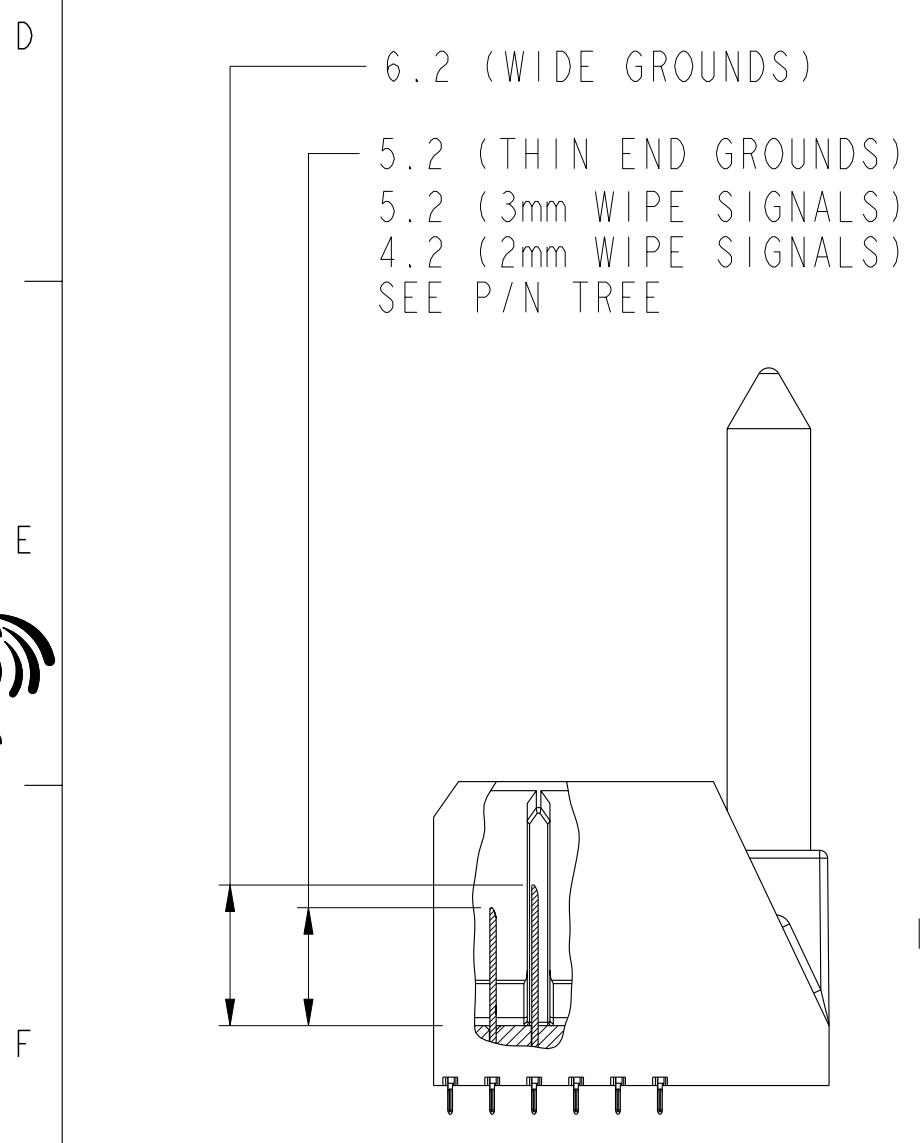
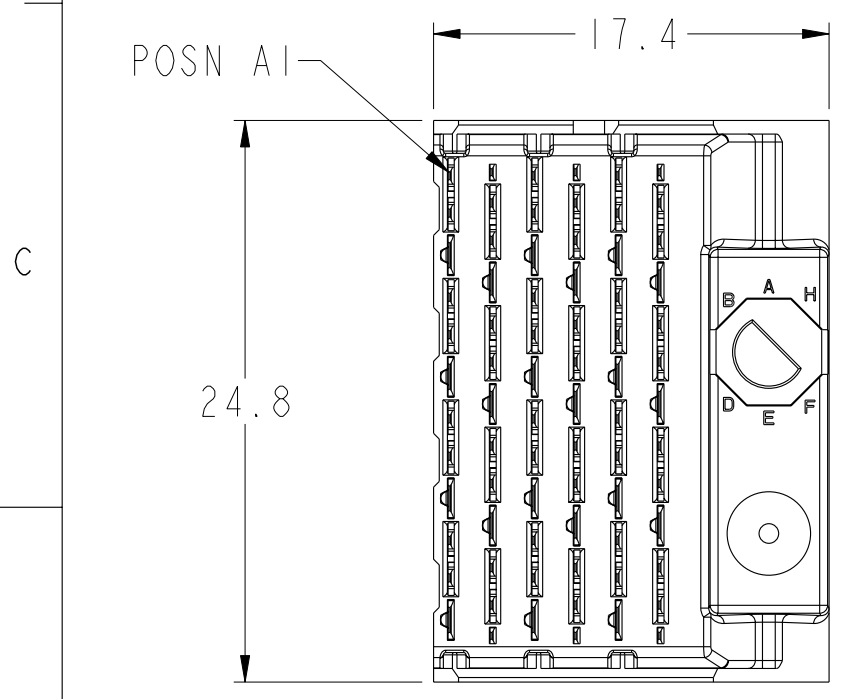
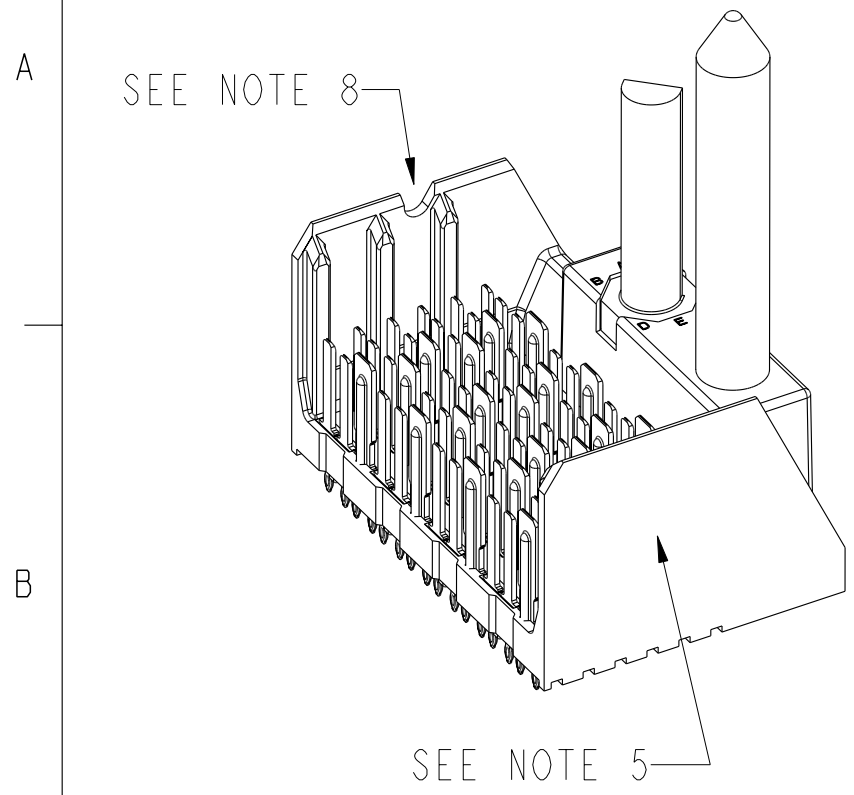
SEE P/N TREE



DETAIL A SCALE 8:1

spec ref	SEE NOTES	dr	W.J.SWAIN	2009-02-04	projection	MM	size	A2	scale	4:1
tolerance std	ASME Y14.5	eng	W.J.SWAIN	2009-02-04	chr	W.J.SWAIN	2009-02-04	ecn no		
	TOLERANCES UNLESS OTHERWISE SPECIFIED	appr			product family	XCede	rel level	In Work		
surface	linear	0.X	±0.2	0.XX	±0.10	0.XXX	±0.050	angular	0°	±°
	ASME Y14.5									
				TITLE MODULE ASSEMBLY VERTICAL HEADER, 6-COLUMN, 4-PAIR		cat. no. SEE P/N TREE		Product - Customer Drw		sheet 3 of 8
		PRELIMINARY		dwg no 10091767		rev 4				

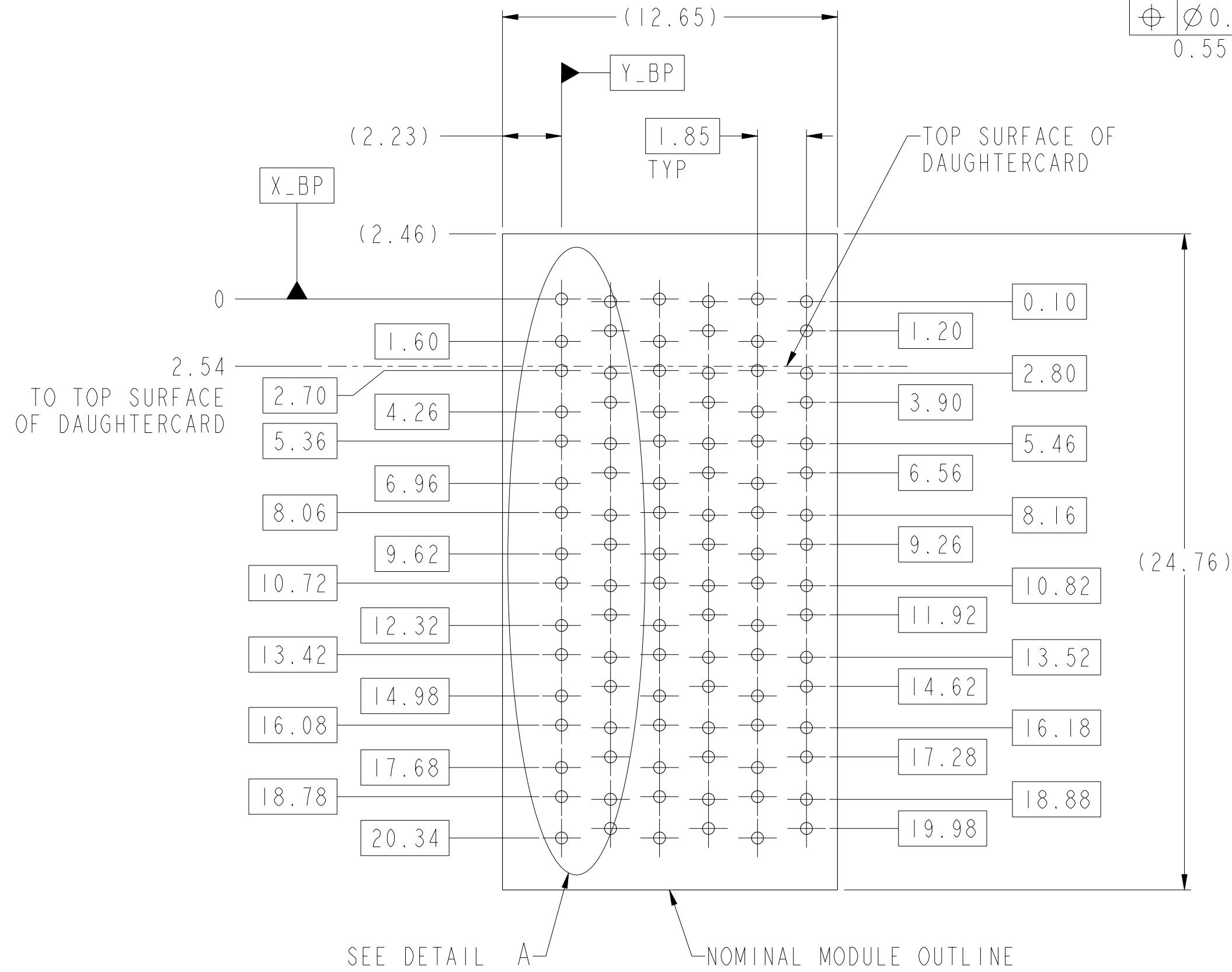
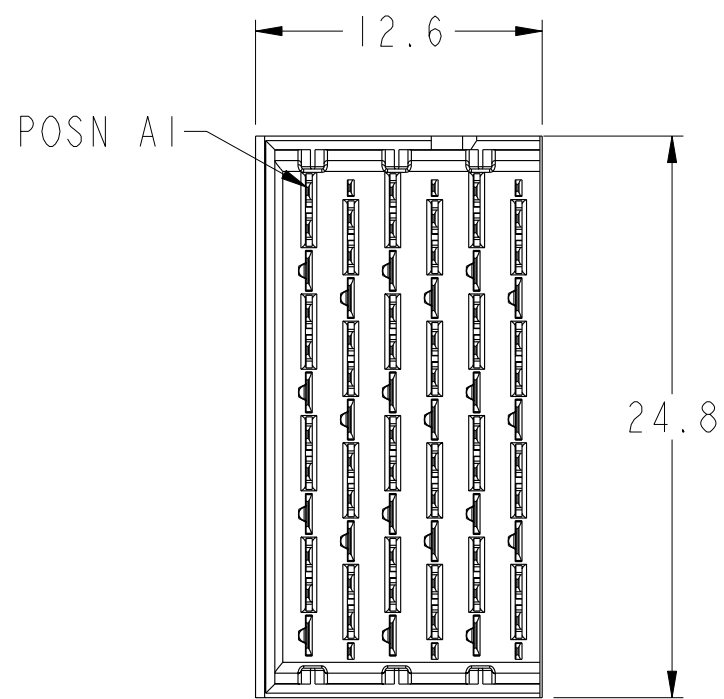
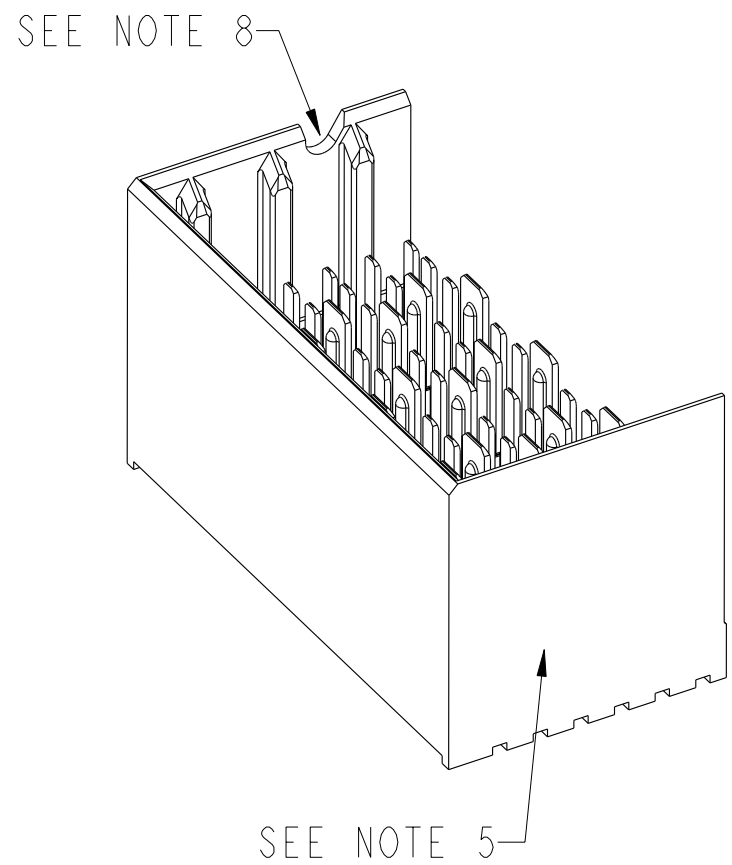
RIGHT POLARIZING/GUIDE MODULE



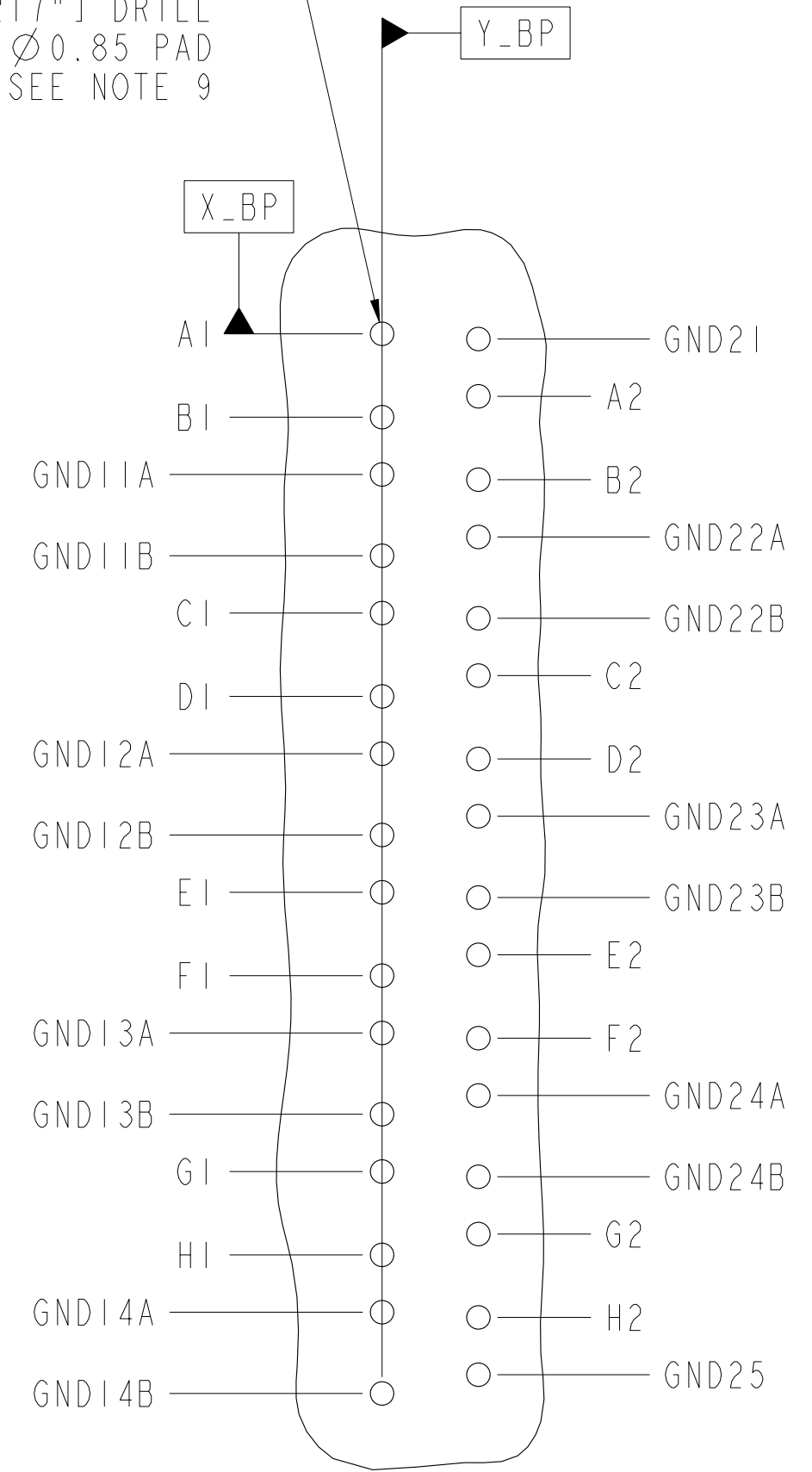
DETAIL A
SCALE 8:1

spec ref	SEE NOTES	dr	W.J.SWAIN	2009-02-04	projection	MM	size	A2	scale	4:1
tolerance std	ASME Y14.5	eng	W.J.SWAIN	2009-02-04			ecn no	rel level	In Work	rev
TOLERANCES UNLESS OTHERWISE SPECIFIED		chr	W.J.SWAIN	2009-02-04						
surface	linear	0.X	±0.2		product family		XCode	rel level		In Work
		0.XX	±0.10		MODULE ASSEMBLY		10091767			4
		0.XXX	±0.050		VERTICAL HEADER, 6-COLUMN, 4-PAIR					
	angular	0°	±°	www.fci.com	cat. no.	SEE P/N TREE	Product - Customer Drw	sheet 4 of 8		

LEFT WALL MODULE



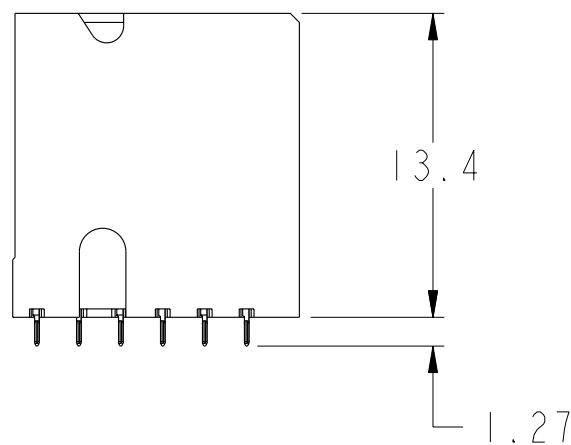
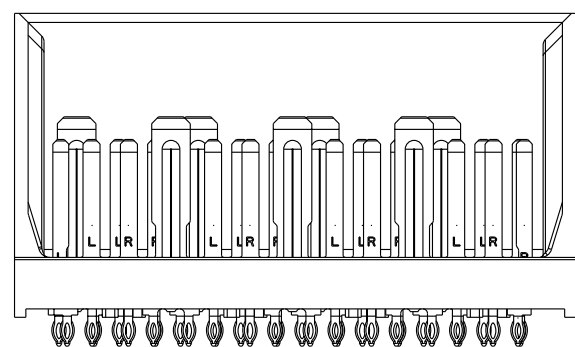
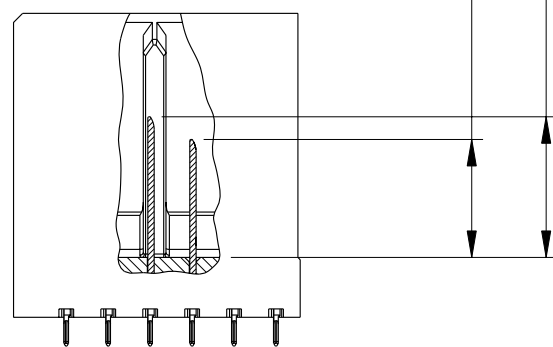
$\varnothing 0.45 \pm 0.05$ PTH TYP
 $\varnothing 0.10$ A Y_BP X_BP
 0.55 [0.0217"] DRILL
 $\varnothing 0.85$ PAD
 SEE NOTE 9



DETAIL A
SCALE 8:1

PCB HOLE PATTERN
COMPONENT SIDE
SCALE 6:1

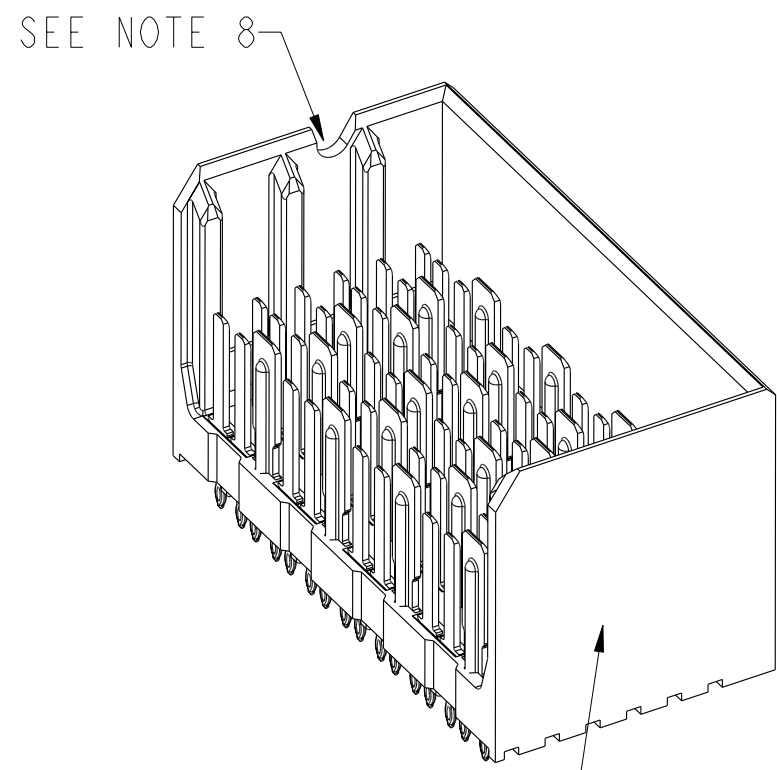
- 6.2 (WIDE GROUNDS)
- 5.2 (THIN END GROUNDS)
- 5.2 (3mm WIPE SIGNALS)
- 4.2 (2mm WIPE SIGNALS)
- SEE P/N TREE



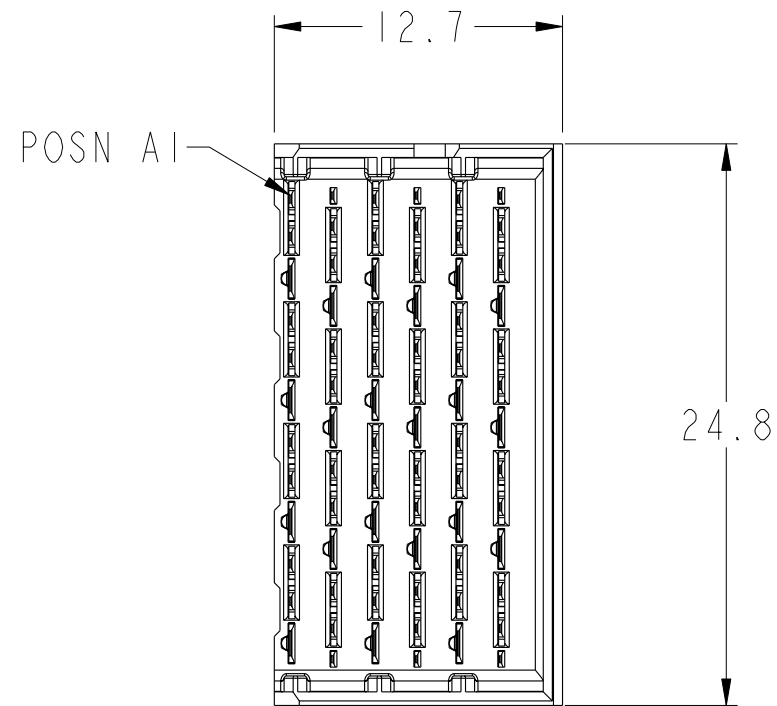
spec ref	SEE NOTES	dr	W.J.SWAIN	2009-02-04	projection	MM	size	A2	scale	4:1		
tolerance std	ASME Y14.5	eng	W.J.SWAIN	2009-02-04	chr	W.J.SWAIN	2009-02-04	ecn no				
tolerance	TOLERANCES UNLESS OTHERWISE SPECIFIED	appr			product family	XCede	rel level	In Work				
surface	linear	0.X	± 0.2		MODULE ASSEMBLY VERTICAL HEADER, 6-COLUMN, 4-PAIR	cat. no. SEE P/N TREE	Product - Customer Drw	sheet 5 of 8	dwg no	10091767	rev	4
	0.XX	± 0.10										
	0.XXX	± 0.050										
ASME Y14.5	angular	0°	\pm	www.fci.com								

PRELIMINARY

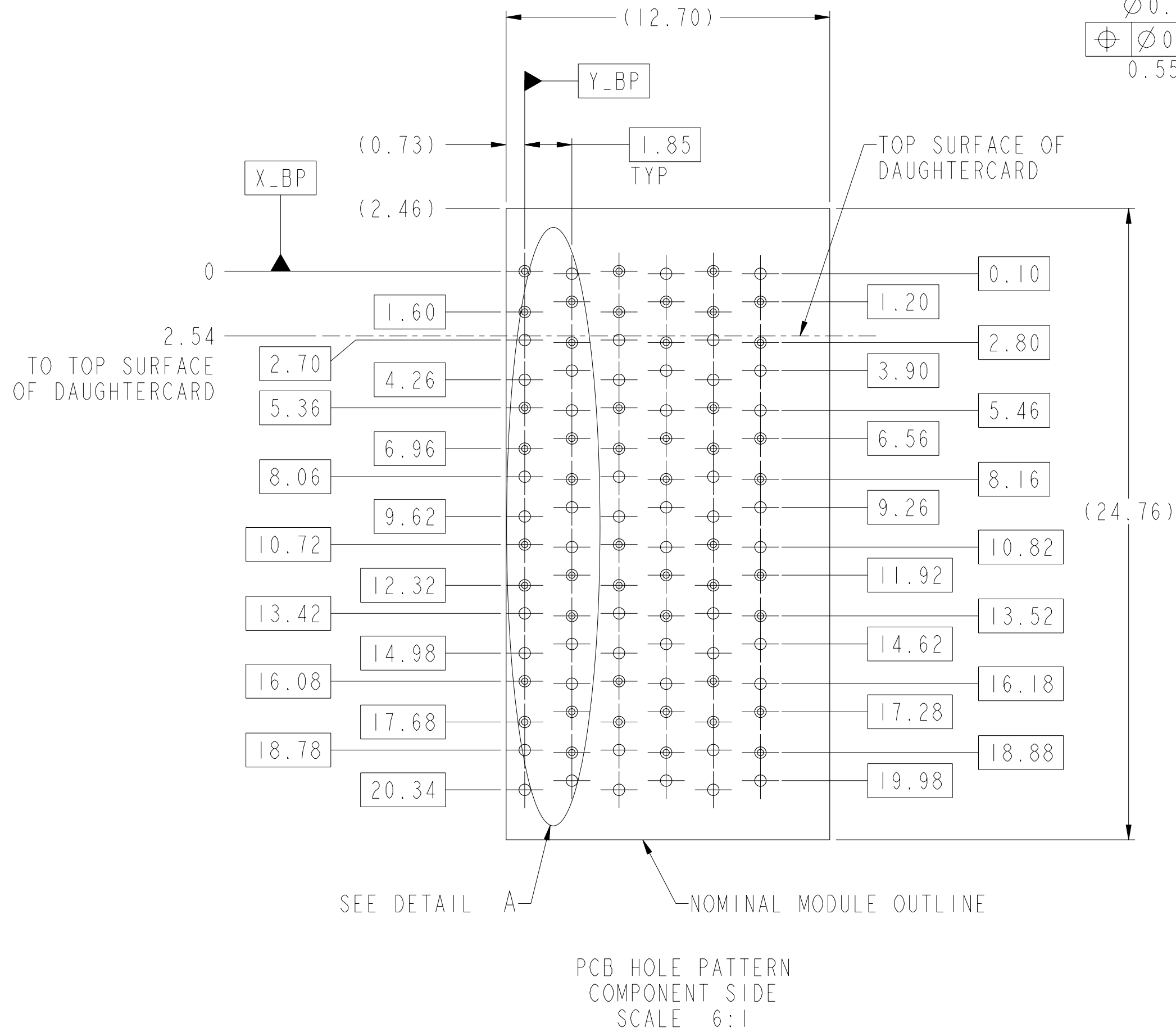
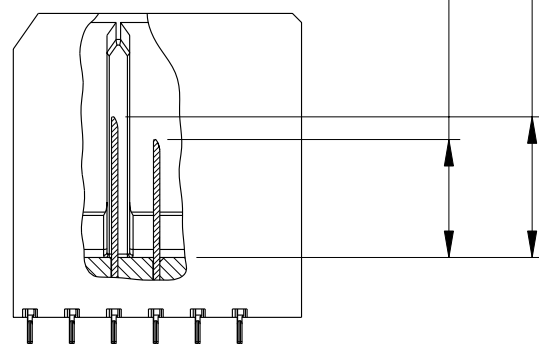
RIGHT WALL MODULE



SEE NOTE 5



- 6.2 (WIDE GROUNDS)
- 5.2 (THIN END GROUNDS)
- 5.2 (3mm WIPE SIGNALS)
- 4.2 (2mm WIPE SIGNALS)
- SEE P/N TREE



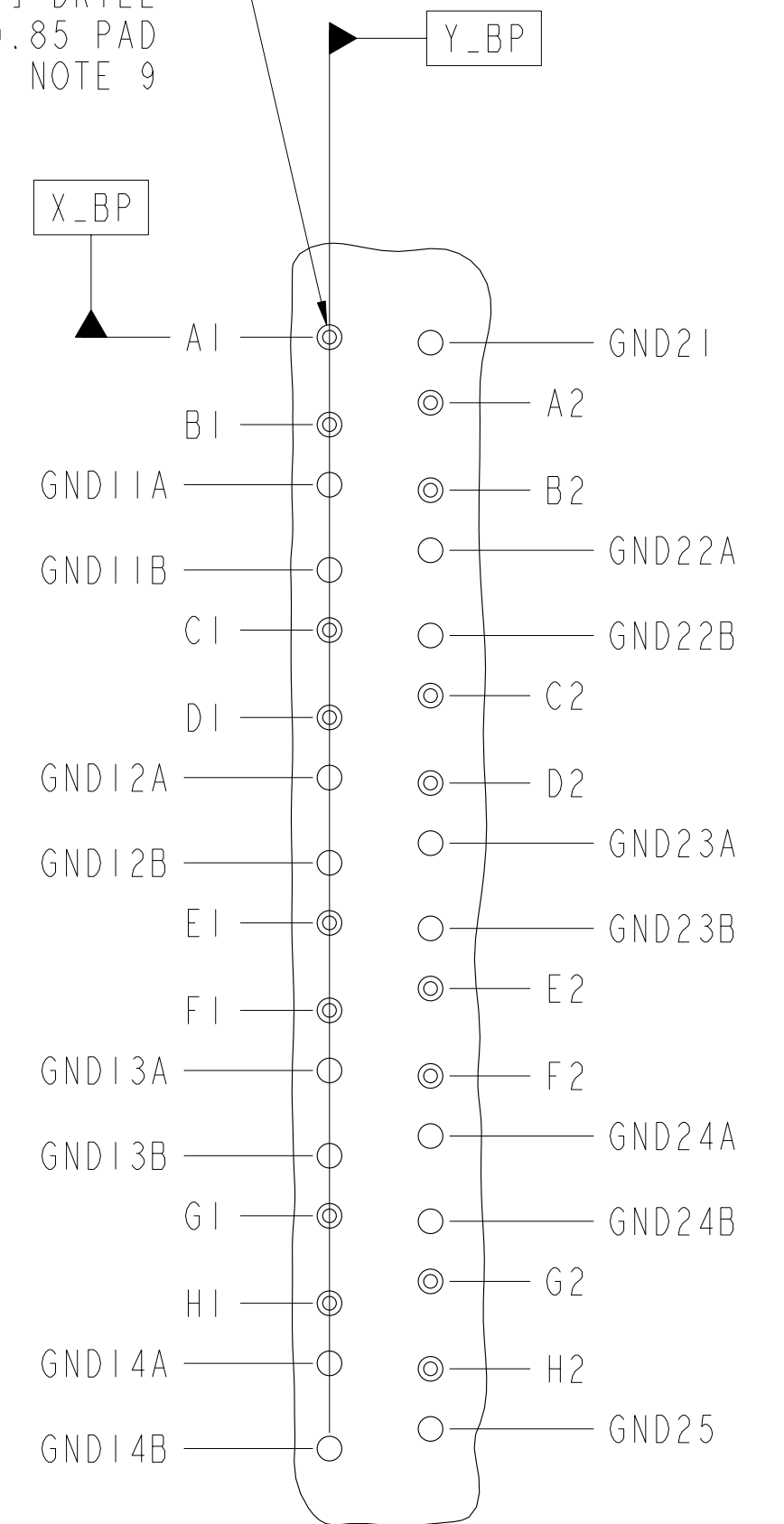
$\varnothing 0.45 \pm 0.05$ PTH TYP

$\varnothing 0.10$	A	Y_BP	X_BP
--------------------	---	------	------

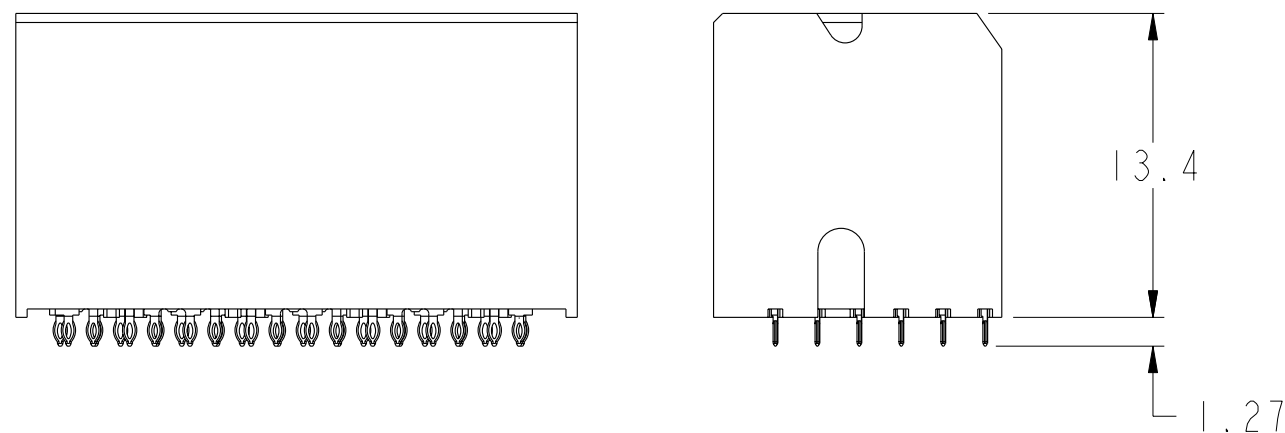
0.55 [0.0217"] DRILL

$\varnothing 0.85$ PAD

SEE NOTE 9



DETAIL A
SCALE 8:1

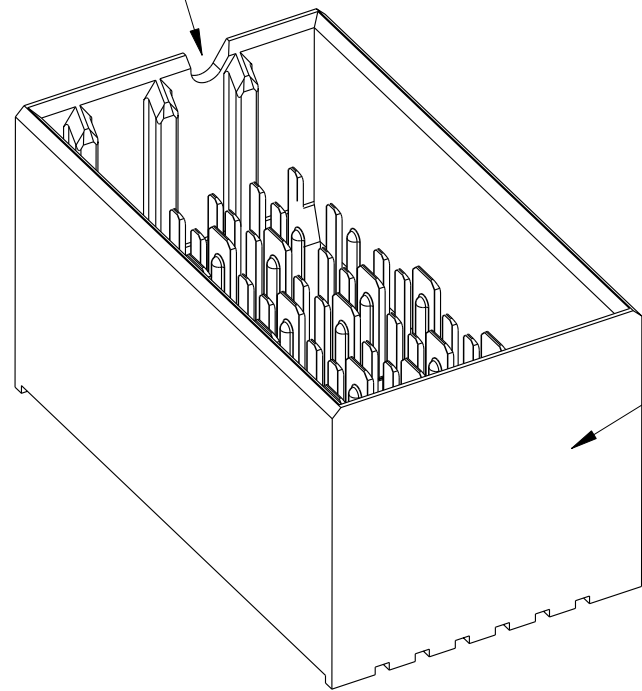


spec ref	SEE NOTES	dr	W.J.SWAIN	2009-02-04	projection	MM	size	A2	scale	4:1
tolerance std	ASME Y14.5	eng	W.J.SWAIN	2009-02-04	chr	W.J.SWAIN	2009-02-04	ecn no		
surface	✓	appr			product family	XCede	rel level	In Work		
linear	0.X ±0.2 0.XX ±0.10 0.XXX ±0.050	angular	0° ±°			title MODULE ASSEMBLY VERTICAL HEADER, 6-COLUMN, 4-PAIR	dwg no 10091767	rev 4		
www.fci.com		cat. no. SEE P/N TREE		Product - Customer Drw		sheet 6 of 8				

PRELIMINARY

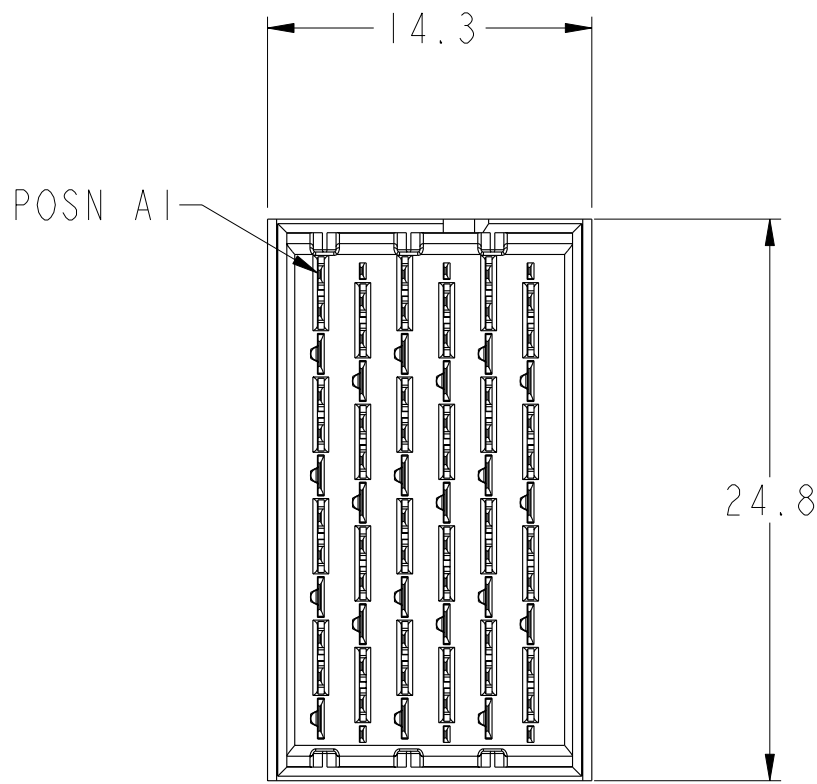
4-WALL MODULE

SEE NOTE 8

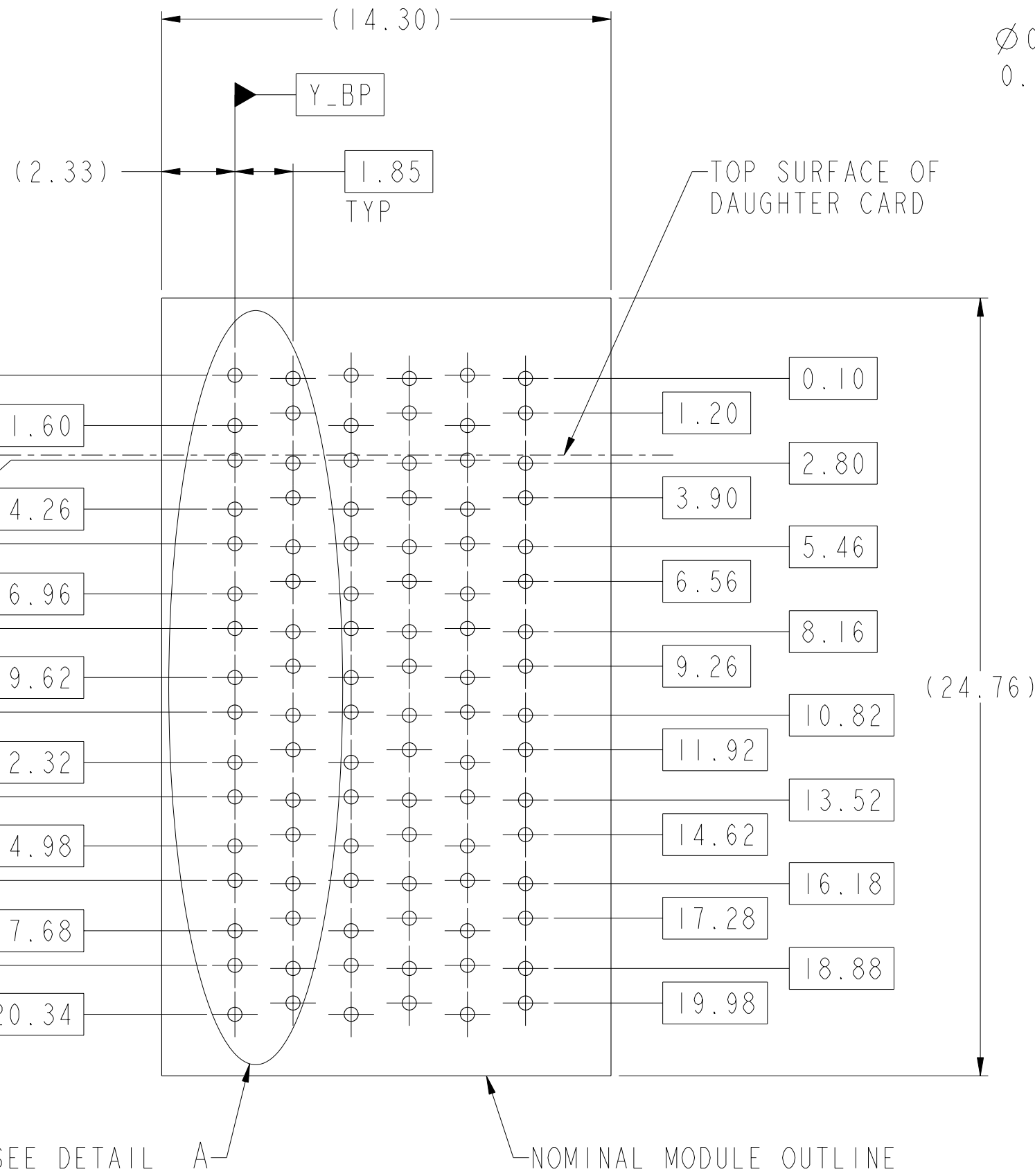
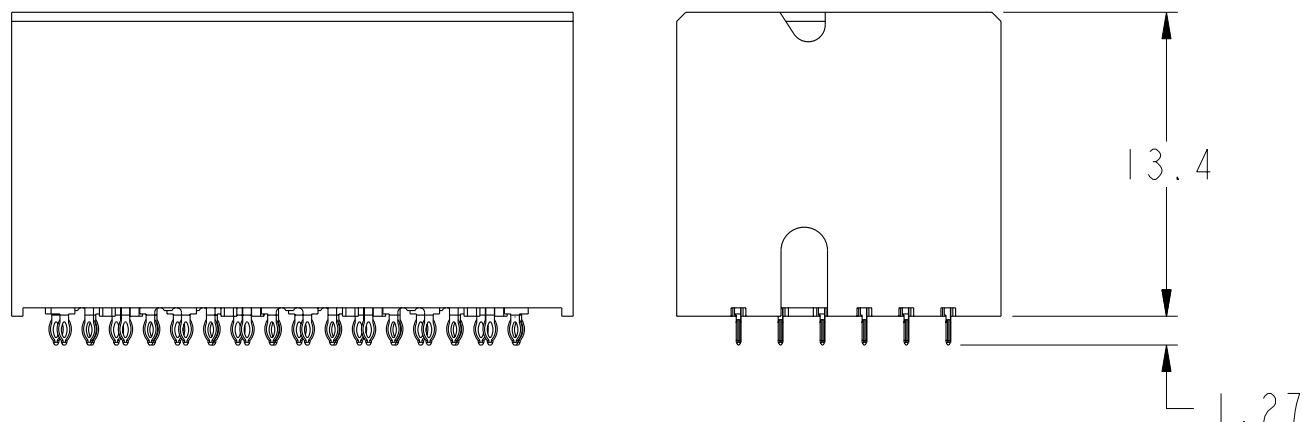
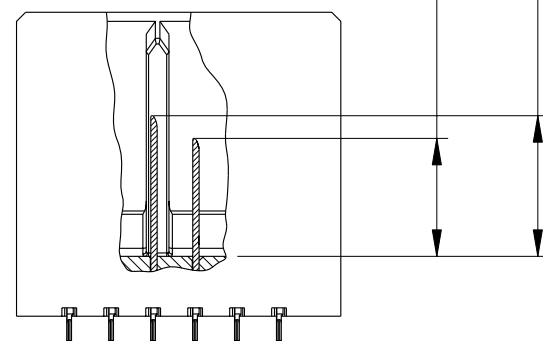


SEE NOTE 5

2.54
TO TOP SURFACE
OF DAUGHTERCARD

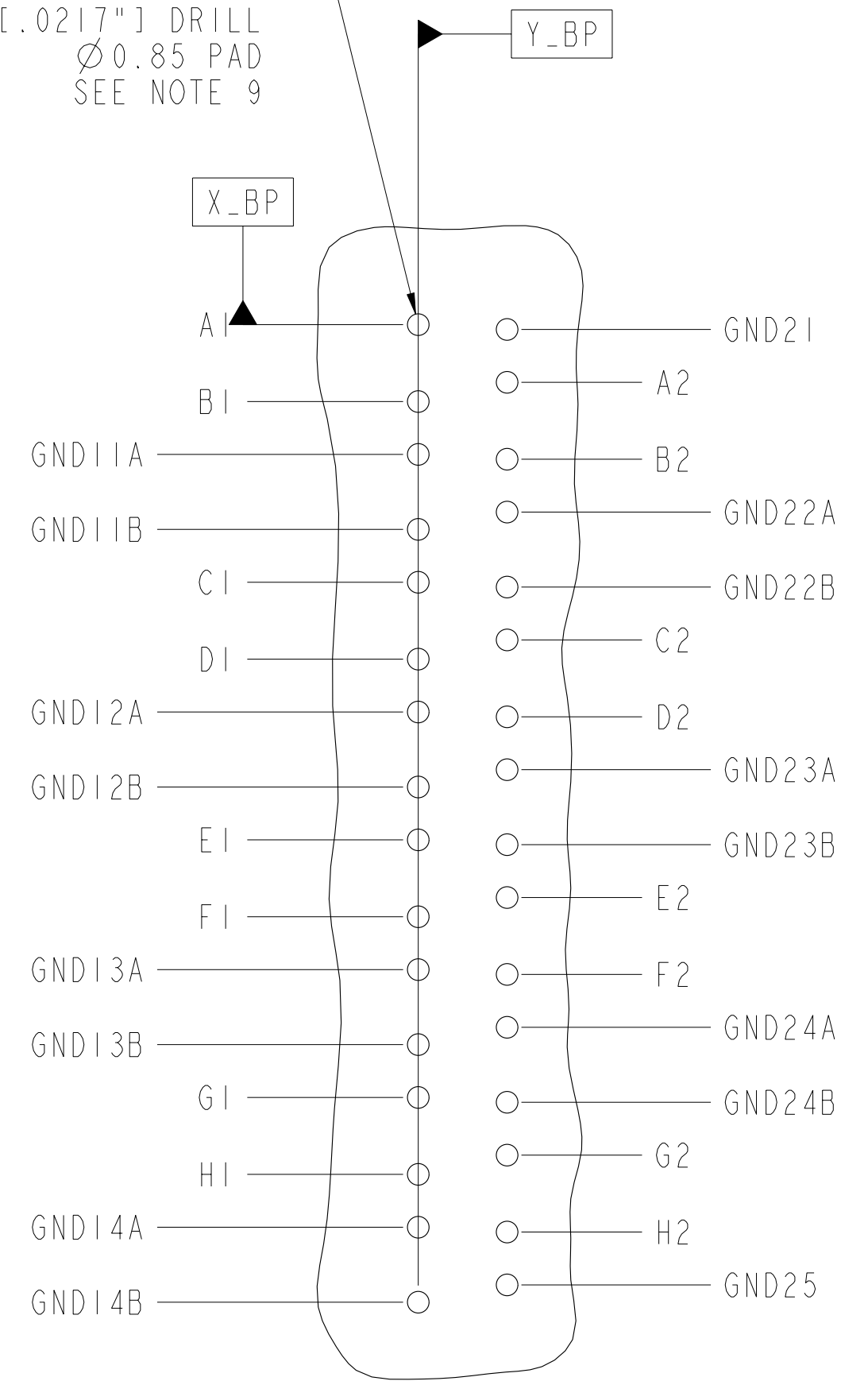


6.2 (WIDE GROUNDS)
5.2 (THIN END GROUNDS)
5.2 (3mm WIPE SIGNALS)
4.2 (2mm WIPE SIGNALS)
SEE P/N TREE



PCB HOLE PATTERN
COMPONENT SIDE
SCALE 6:1

$\varnothing 0.45 \pm 0.05$ PTH TYP
0.55 [.0217"] DRILL
 $\varnothing 0.85$ PAD
SEE NOTE 9



DETAIL A
SCALE 8:1

PRELIMINARY

spec ref	SEE NOTES	dr	W.J.SWAIN	2009-02-04	projection	MM	size	A2	scale	3:1							
tolerance std	TOLERANCES UNLESS OTHERWISE SPECIFIED	eng	W.J.SWAIN	2009-02-04			ecn no	rel level	In Work	rev							
ASME Y14.5		chr	W.J.SWAIN	2009-02-04							product family	XCode					
surface	<table border="1"> <tr> <td>linear</td> <td>0.X</td> <td>± 0.2</td> </tr> <tr> <td></td> <td>0.XX</td> <td>± 0.10</td> </tr> <tr> <td></td> <td>0.XXX</td> <td>± 0.050</td> </tr> <tr> <td>angular</td> <td>0°</td> <td>\pm°</td> </tr> </table>	linear	0.X	± 0.2		0.XX	± 0.10		0.XXX	± 0.050	angular	0°	\pm °		title MODULE ASSEMBLY VERTICAL HEADER, 6-COLUMN, 4-PAIR	dwg no 10091767	rev 4
linear	0.X	± 0.2															
	0.XX	± 0.10															
	0.XXX	± 0.050															
angular	0°	\pm °															
ASME Y14.5		www.fci.com	cat. no.	SEE P/N TREE	Product - Customer Drw	sheet 7 of 8											

Copyright FCI.
FCI

NOTES:

1. CONNECTOR MATERIALS
SHROUD: HIGH-TEMP THERMOPLASTIC, UL94V-0
CONTACTS: HIGH PERFORMANCE COPPER ALLOY
2. CONTACT PLATING:

SEPARABLE INTERFACE: PERFORMANCE-BASED PLATING, QUALIFIED TO MEET THE REQUIREMENTS OF FCI PRODUCT SPECIFICATION GS-12-588, INCLUDING THE TELCORDIA GR-1217-CORE (NOVEMBER 1995) CENTRAL OFFICE (CO) OR UNCONTROLLED ENVIRONMENT (UE) TEST SEQUENCE AS NOTED IN P/N TREE.

PRESS-FIT TAILS: TIN OVER NICKEL (LF), OR TIN-LEAD ALLOY OVER NICKEL (NON-LF). SEE P/N TREE.
3. PRODUCT SPECIFICATION: GS-12-588 (PRELIMINARY)
4. APPLICATION SPECIFICATION: GS-20-121 (PRELIMINARY)
5. PRODUCT MARKING (PART NUMBER AND LOT CODE) ON THESE SURFACES.
6. HOUSING MUST WITHSTAND EXPOSURE TO 260°C PEAK TEMPERATURE FOR 40 SECONDS IN A CONVECTION, INFRA-RED, OR VAPOR-PHASE REFLOW OVEN.
7. PACKAGING MEETS GS-14-920 LEAD-FREE LABELING SPECIFICATION.
8. NOTCH INDICATES "ROW A" SIDE OF CONNECTOR.
9. SEE APPLICATION SPECIFICATION FOR ROUTING GUIDELINES, ADDITIONAL PTH GUIDELINES, MATED DIMENSIONS, GUIDE PN SELECTION, ETC.
10. SCREW IS OPTIONAL AND ENGAGES WITH BOTTOM OF GUIDE-PIN FROM BENEATH THE PCB FOR ADDITIONAL GUIDE-PIN SUPPORT.
11. OPTIONAL HOLE LOCATION FOR GROUNDED PIN OR ADDITIONAL GUIDE-PIN SUPPORT. SEE TABLE 1 ON SHEET 1 FOR ADDITIONAL DETAILS.

PRELIMINARY

spec ref	SEE NOTES	dr	W.J.SWAIN	2009-02-04	projection	MM	size	A2	scale	4:1			
tolerance std	TOLERANCES UNLESS OTHERWISE SPECIFIED	eng	W.J.SWAIN	2009-02-04		MM	A2	4:1	ecn no	rel level			
ASME Y14.5		chr	W.J.SWAIN	2009-02-04							product family	XCede	In Work
		appr											
surface	linear	0.X	±0.2		MODULE ASSEMBLY	cat. no.	SEE P/N TREE	Product - Customer Drw	sheet 8 of 8				
ASME Y14.5	angular	0.XX	±0.10										
		0.XXX	±0.050										
		0°	±°	www.fci.com									

Copyright FCI. FCI