

NOTES:

1. MATERIAL:

CAGE: NICKEL SILVER, 0.25mm THICK
 EMI STRAPS: PHOS-BRONZE
 AIR-VENT/LIGHT PIPE HOUSINGS: DIECAST ALLOY
 LIGHT PIPES: POLYCARBONATE (OPTIONAL)
 CONNECTOR HOUSING: HIGH TEMPERATURE THERMOPLASTIC
 TERMINALS: COPPER ALLOY

2. FINISH:

CAGE: UNPLATED
 EMI STRAPS: 100 MICRONS NICKEL OVERALL
 AIR-VENT/LIGHT PIPE HOUSINGS: NICKEL OVER COPPER
 TERMINALS: CONTACT AREA: 0.76 μ m MIN. GOLD OVER
 2.54 μ m MIN. NICKEL.

COMPLIANT TAIL:

TIN: 0.76-1.52 μ m MATTE TIN OVER 1.27 μ m MIN NICKEL.
 TIN/LEAD: 0.76-1.52 μ m TIN/LEAD (90/10) OVER 1.27 μ m NICKEL.

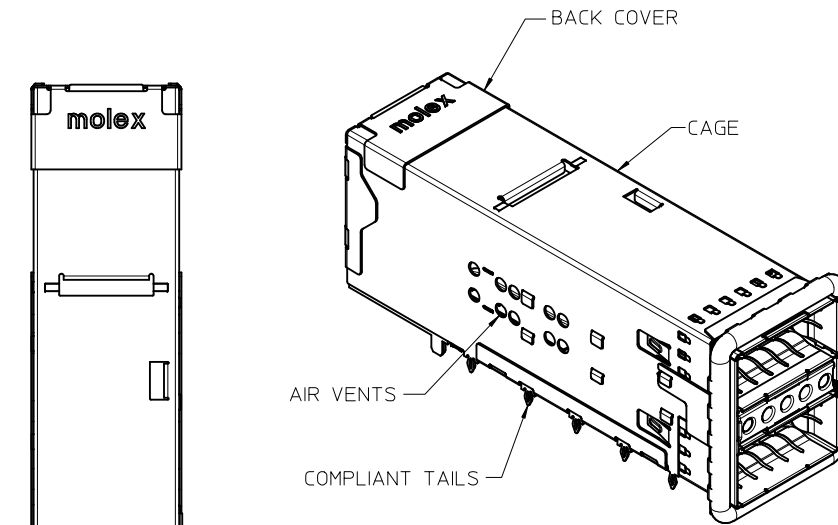
3. PACKAGING: PRODUCT PACKAGED IN TRAYS AND CARTONS

4. ALL VISIBLE EXTERIOR SURFACES TO BE CLASS "B" OR BETTER, EXCEPT FOR THE UNDERSIDE OF THE CAGE AND SHOULD CONFORM TO THE MOLEX COSMETIC STANDARD PS-45499-002

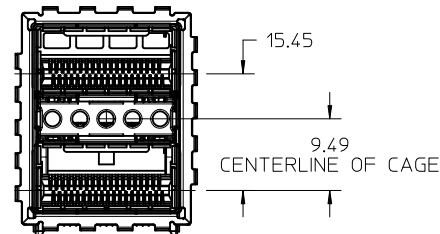
5. CONNECTOR MATES WITH PLUG CABLE SERIES 74757 AND 74758

6. DATE CODE LOCATION SHOWN

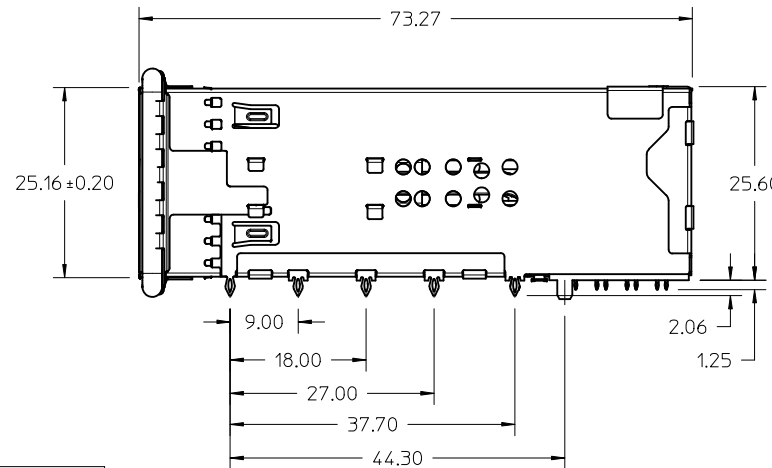
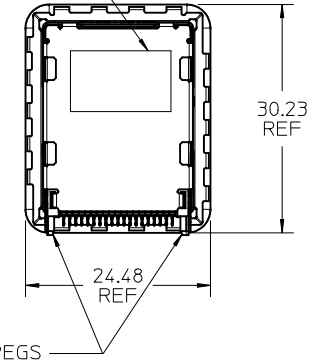
DATE CODE FORMAT:DDD
 DDD= DAY OF THE YEAR
 Y= YEAR



19.50
 24.04 ± 0.25



15.45

9.49
CENTERLINE OF CAGEDATE CODE
LOCATION
SEE NOTE 6

LOCATING PEGS

PART NUMBER	DESCRIPTION	SHOWN ON SHEET	PLATING
76871-0001	NO LIGHT PIPES	2	TIN/LEAD
76871-0002	OUTER LIGHT PIPES	2	TIN/LEAD
76871-0004	OUTER LIGHT PIPES	2	TIN/LEAD
76871-0005	NO LIGHT PIPES	2	TIN
76871-0006	OUTER LIGHT PIPES	2	TIN
76871-0008	OUTER LIGHT PIPES	2	TIN

REV	DESCRIPTION	DATE	APPROVED	CHKD	DRW	EC NO
1	UPDATE LATCH FEATURES	2012/03/15	MBANAKIS	MBANAKIS	DRWINHIVERY	UCP2012-3046
2		2012/03/15				

QUALITY
SYMBOLS

▽=0

▽=0

▽=0

GENERAL TOLERANCES
(UNLESS SPECIFIED)

mm

INCH

4 PLACES ± --- ± ---

3 PLACES ± --- ± ---

2 PLACES ± 0.13 ± ---

1 PLACE ± 0.25 ± ---

ANGULAR ± 1/2°

DRAFT WHERE APPLICABLE

MUST REMAIN

WITHIN DIMENSIONS

DIMENSION STYLE
MM ONLY

DRAWN BY DATE

JJANTELEZ10 2010/04/30

CHECKED BY DATE

JJANTELEZ10 2010/04/30

APPROVED BY DATE

MBANAKIS 2010/10/22

MATERIAL NO.

SEE CHART

SIZE

THIS DRAWING CONTAINS INFORMATION THAT IS PROPRIETARY TO MOLEX

SCALE

2:1

TITLE

QSFPLUS ASSEMBLY

STACKED 2X1

DESIGN UNITS

METRIC

THIRD ANGLE
PROJECTION

MOLEX

MOLEX INCORPORATED

DOCUMENT NO.

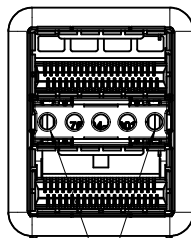
SD-76871-001

SHEET NO.

1 OF 3

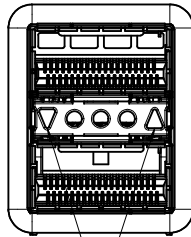
THIS DRAWING CONTAINS INFORMATION THAT IS PROPRIETARY TO MOLEX

INCORPORATED AND SHOULD NOT BE USED WITHOUT WRITTEN PERMISSION



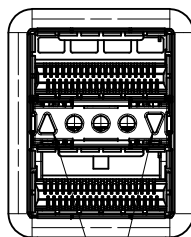
NO LIGHT PIPES

P/N 768710001/
768710005



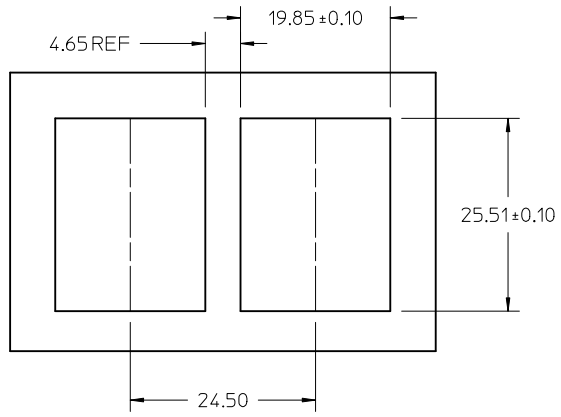
PORT ACTIVITY INDICATORS
LIGHT PIPES

P/N 768710002/
768710006

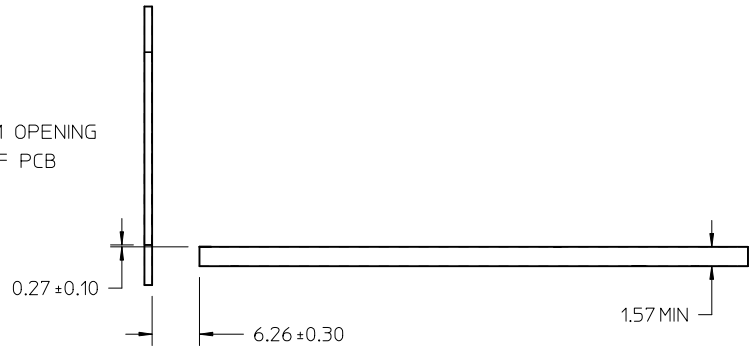


PORT ACTIVITY INDICATORS
LIGHT PIPES

P/N 768710004/
768710008

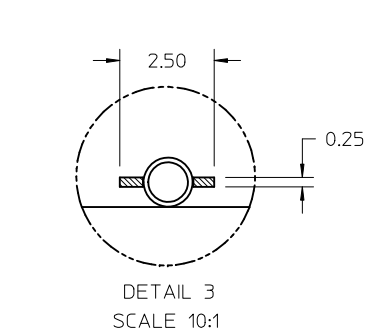


PANEL FROM OPENING
TO TOP OF PCB



RECOMMENDED PANEL CUT-OUT

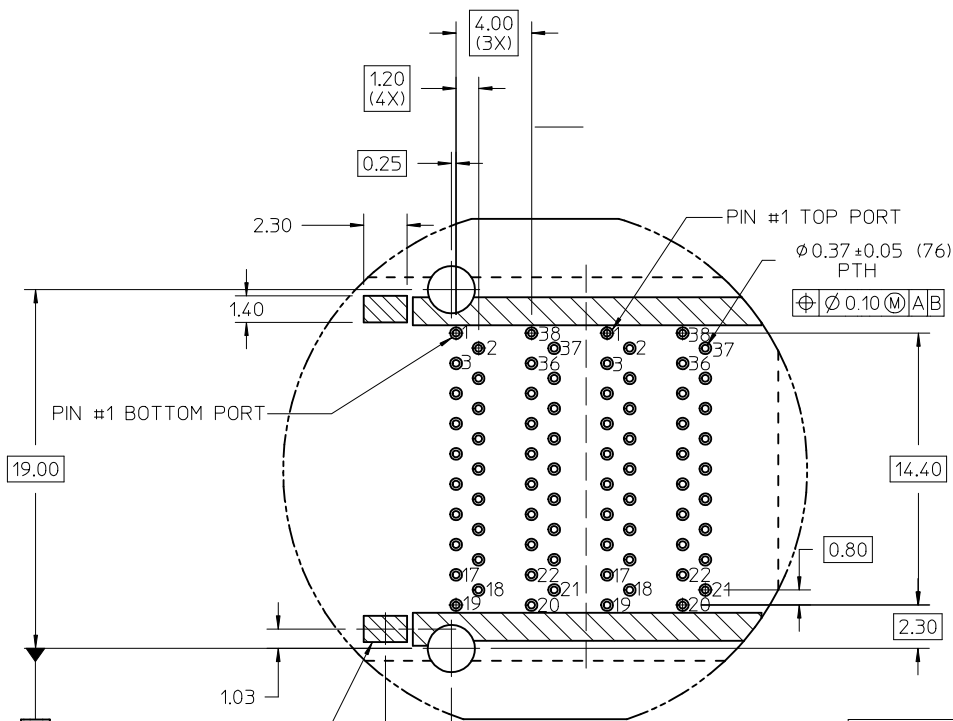
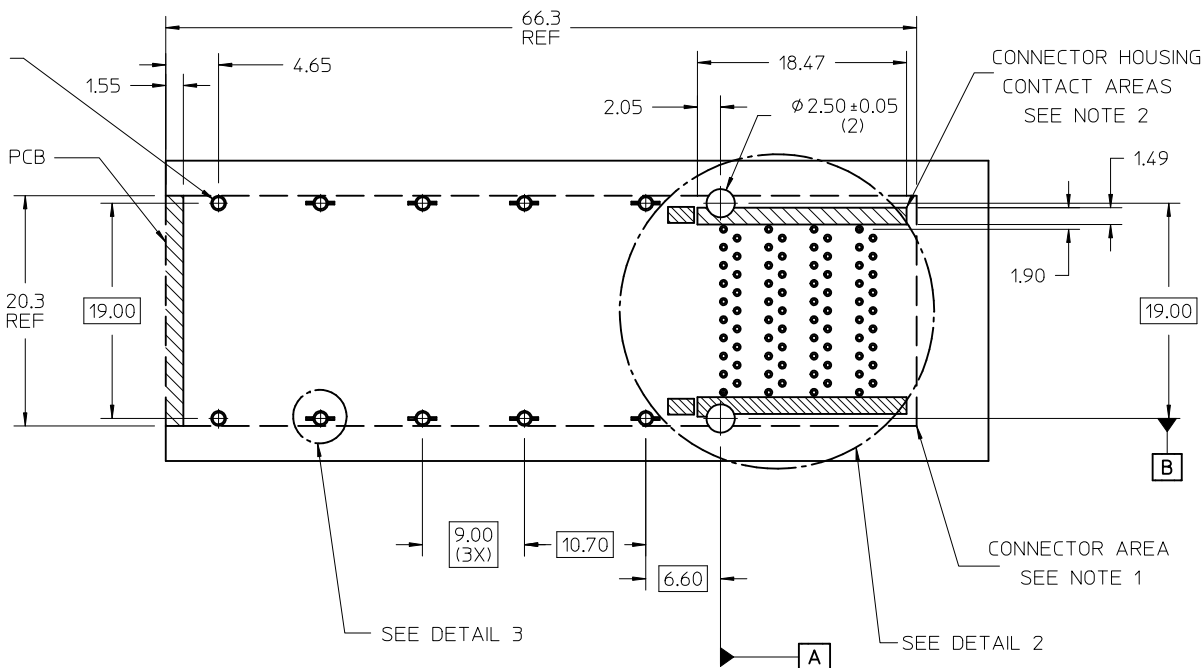
SEE SHEET 1 EC NO: UCP2012-3046 2012/03/15 DRW: HWARY CHKD: APPR: MBANAKIS 2012/03/15	QUALITY SYMBOLS	GENERAL TOLERANCES (UNLESS SPECIFIED)	DIMENSION STYLE	SCALE	DESIGN UNITS	THIRD ANGLE PROJECTION
	▽=0	mm INCH	MM ONLY	2:1	METRIC	
	▽=0	4 PLACES ± --- ± ---	DRAWN BY DATE	TITLE		
	▽=0	3 PLACES ± --- ± ---	JJANTELEZIO 2010/04/30	QSPF PLUS ASSEMBLY STACKED 2X1		
		2 PLACES ± 0.13 ± ---	CHECKED BY DATE	MATERIAL NO.		
		1 PLACE ± 0.25 ± ---	JJANTELEZIO 2010/04/30	DOCUMENT NO.		
		ANGULAR ± 1/2°	APPROVED BY DATE	SHEET NO.		
			MBANAKIS 2010/10/22	2 OF 3		
				MOLEX INCORPORATED		
				SD-76871-001		
				THIS DRAWING CONTAINS INFORMATION THAT IS PROPRIETARY TO MOLEX INCORPORATED AND SHOULD NOT BE USED WITHOUT WRITTEN PERMISSION		



DETAIL 3
SCALE 10:1
TRACE KEEP-OUT ZONE
AROUND PRESS-FIT TAIL HOLES

$\phi 1.05 \pm 0.05$ (10X)
PTH
 $\phi \phi 0.10 \text{ (M) AB}$

FRONT OF PCB
20.3 REF
19.00



DETAIL 2
SCALE 5:1
PCB PORT LAYOUT
(COMPONENT SIDE)

LED KEEP-IN ZONE
LED TO BE CENTERED
SEE NOTE 4

NOTES:

1. THE ENTIRE AREA UNDER THE CONNECTOR (DASHED LINES) IS TO BE CONSIDERED A KEEP-OUT AREA FOR COMPONENTS.
2. HATCHED AREAS REPRESENT ZONES ON THE PCB THAT COME IN CONTACT WITH OR BE IN CLOSE PROXIMITY TO THE PLASTIC HOUSING OR THE CONNECTOR CAGE. INDICATED AREAS TO BE CONSIDERED TRACE FREE.
3. PIN NUMBERS ARE PER THE STANDARD. BOTH PORTS ARE IN THE SAME (UP-UP) MODULE ORIENTATION.
4. LED KEEP-IN ZONE DEFINES THE PHYSICAL SPACE ALLOWED FOR PLACEMENT OF SMD CHIP STYLE LED PACKAGES. KEEP-IN ZONE EXTENDS VERTICALLY TO 0.8mm ABOVE THE TOP SIDE OF BOARD.
5. SEE APPLICATION SPEC AS-76870-001 FOR RECOMMENDED DRILL HOLE SIZE.

SEE SHEET 1 EC NO: UCP2012-3046 DRW: HARVEY 2012/03/15 CHKD: APPR: MBANAKIS 2012/03/15	QUALITY SYMBOLS $\nabla = 0$ $\nabla = 0$ $\nabla = 0$	GENERAL TOLERANCES (UNLESS SPECIFIED)		DIMENSION STYLE MM ONLY		SCALE 3:1	DESIGN UNITS METRIC	THIRD ANGLE PROJECTION			
		4 PLACES \pm --- \pm ---	3 PLACES \pm --- \pm ---	2 PLACES ± 0.13 \pm ---	1 PLACE ± 0.25 \pm ---	DRAWN BY JJANTELEZIO	DATE 2010/04/30	TITLE QSFP PLUS ASSEMBLY STACKED 2X1			
		ANGULAR $\pm 1/2^\circ$		DRAFT WHERE APPLICABLE MUST REMAIN WITHIN DIMENSIONS		CHECKED BY JJANTELEZIO	DATE 2010/04/30	APPROVED BY MBANAKIS 2010/10/22			
		MATERIAL NO.		SEE SHEET 1		DOCUMENT NO.		MOLEX INCORPORATED		SHEET NO. 3 OF 3	

THIS DRAWING CONTAINS INFORMATION THAT IS PROPRIETARY TO MOLEX INCORPORATED AND SHOULD NOT BE USED WITHOUT WRITTEN PERMISSION