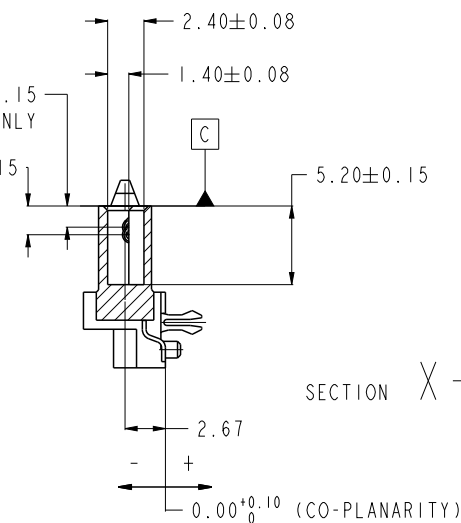
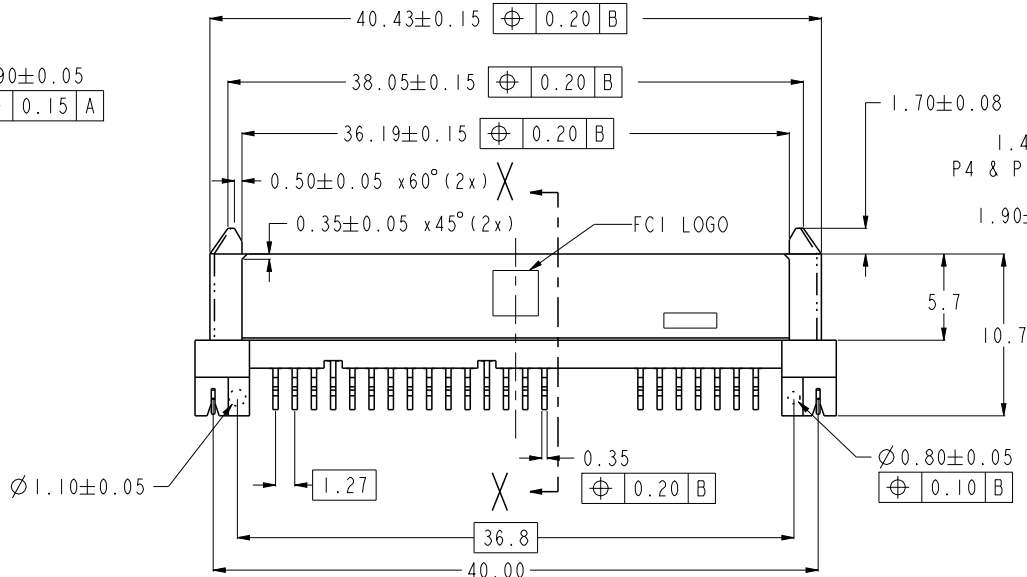
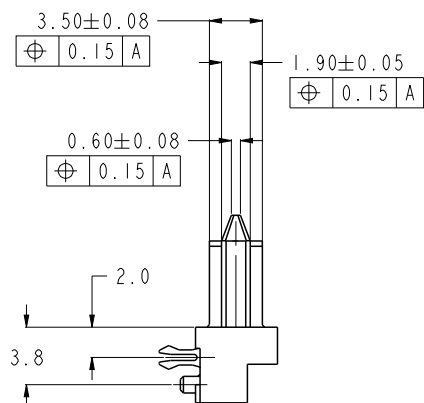
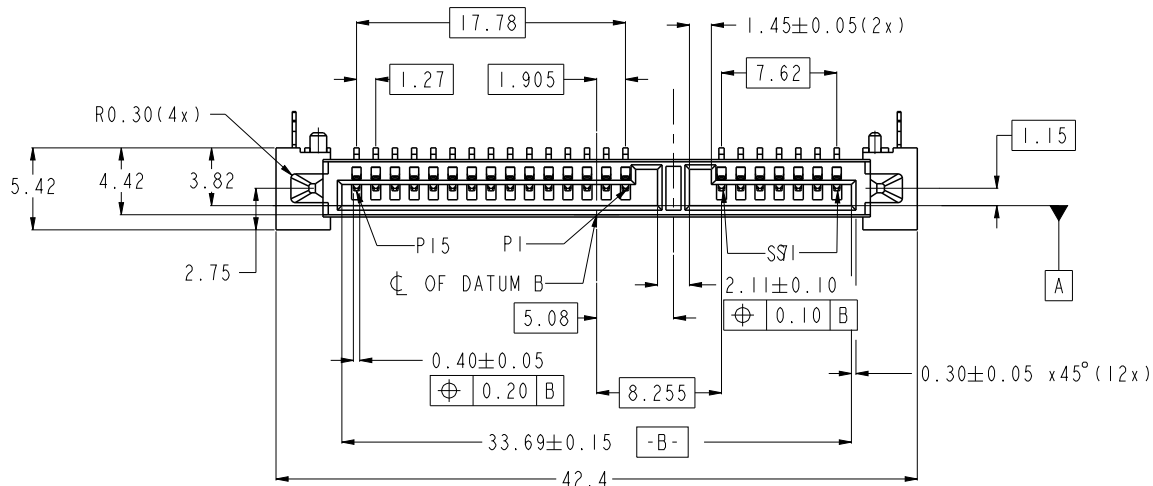


PRODUCT NO.

SEE TABLE



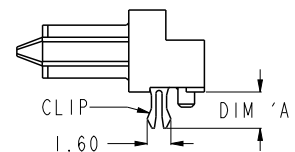
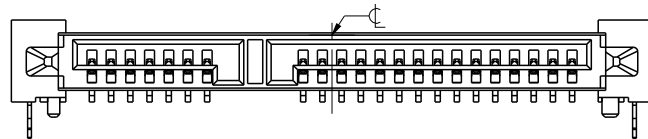
| | | | | | | | | |
|---|---------------------------------------|---|---|------------------|--|--------------------------------------|-----------------|--|
| spec ref | | dr w cadmin 2006/02/20 | | projection | MM ←→ | size | scale | |
| tolerance std ASME Y14.5 | TOLERANCES UNLESS OTHERWISE SPECIFIED | | eng Koon-Poh Tay 2013/04/10 | | | A4 | 1:1 | |
| | | | chr - | | | ecn no ELX-J-14320-1 | | |
| surface <input checked="" type="checkbox"/> | | appr Chen-Hong Tan 2013/04/15 | | product family - | | rel level Released | | |
| linear | 0.X | ±---- | | | title S-ATA COMB RECEPTACLE R/A SMT TYPE ASSY | dwg no 10029364 | rev S | |
| | 0.XX | ±0.20 | | | | | | |
| angular | 0° | ±° | | www.fci.com | cat. no. - | Product - Customer Drw | sheet 1 of 3 | |

Prod File - REV C - 2009-06-09

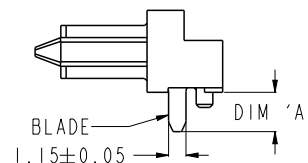
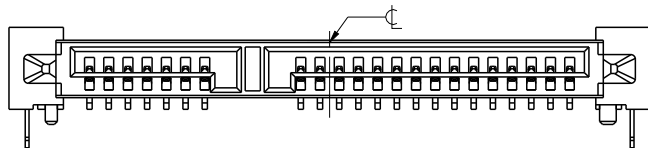


Copyright FCI.

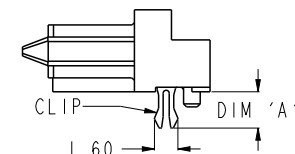
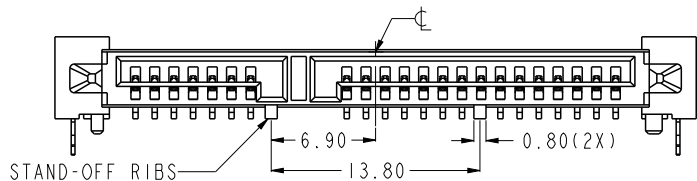
10029364-00XLF/TRLF



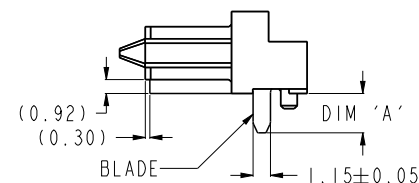
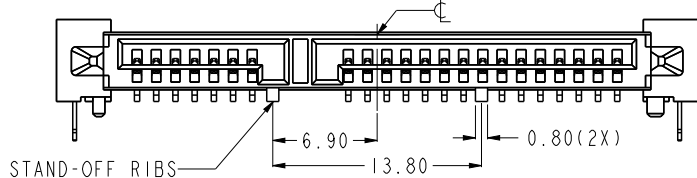
10029364-01XLF/TRLF



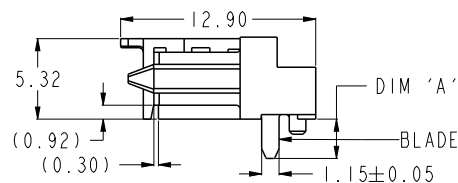
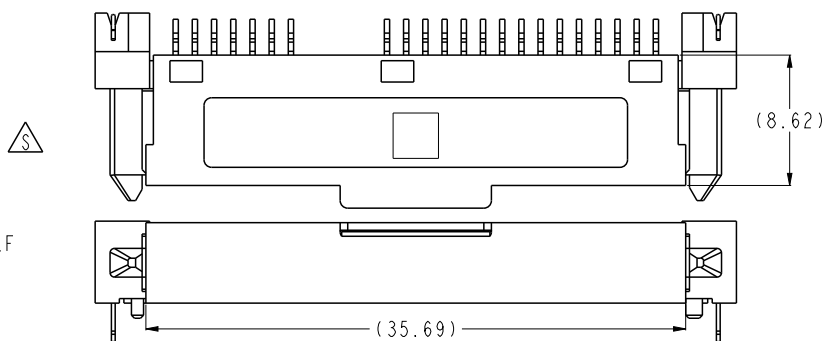
10029364-10XLF/TRLF



10029364-11XLF/TRLF



10029364-11XCLEF/C-TRLF



| | | | | | | | | | | | |
|---------------------------------------|--|------------------------------------|--|-------------|--|------------------------|--|--------------|--|------------------------|--|
| spec ref | | dr w wcadmin | | 2006/02/20 | | projection | | size | | scale | |
| tolerance std | | eng Koon-Poh Tay | | 2013/04/10 | | | | A4 | | 1:1 | |
| ASME Y14.5 | | chr - | | - | | | | ecn no | | ELX-J-14320-1 | |
| TOLERANCES UNLESS OTHERWISE SPECIFIED | | appr Chen-Hong Tan | | 2013/04/15 | | product family | | - | | rel level | |
| surface ✓ | | linear | | 0.X ±---- | | product family | | - | | rev | |
| | | | | 0.XX ±0.20 | | S-ATA COMB RECEPTACLE | | 10029364 | | S | |
| | | | | 0.XXX ±---- | | R/A SMT TYPE ASSY | | | | | |
| | | angular | | 0° ±° | | cat. no. | | - | | Product - Customer Drw | |
| | | | | www.fci.com | | Product - Customer Drw | | sheet 2 of 3 | | | |

| PRODUCT NO. | RECOMMENDED P.C.B. THICKNESS | HOLD DOWN | DIM 'A' | HOUSING WITH STAND-OFF RIBS | PACKAGING |
|--------------------|------------------------------|------------|---------|-----------------------------|-------------|
| 10029364-001LF | 1.60 | METAL CLIP | 2.40 | NO | TRAY |
| 10029364-001TRLF | | | | | TAPE & REEL |
| 10029364-002LF | 1.00 | | NO | 1.80 | TRAY |
| 10029364-002TRLF | | | | | TAPE & REEL |
| 10029364-102LF | | | YES | TRAY | |
| 10029364-102TRLF | | | | TAPE & REEL | |
| 10029364-011LF | -- | BLADE | 2.60 | NO | TRAY |
| 10029364-011TRLF | | | | | TAPE & REEL |
| 10029364-111LF | | | YES | TRAY | |
| 10029364-111TRLF | | | | | TAPE & REEL |
| 10029364-111CLF | | | | | TRAY |
| 10029364-111C-TRLF | | | | | TAPE & REEL |

NOTES:-

1. MATERIAL:

1) HOUSING : HIGH TEMP. THERMOPLASTIC, UL 94V-0
COLOR : BLACK

2) TERMINAL : COPPER ALLOY
3) HOLD DOWN : COPPER ALLOY

2. FINISH:

1) TERMINAL : 30u" GOLD PLATING (CONTACT POINT)
OVER 50u" MIN NICKEL

2) SOLDER TAIL : 100u" MIN TIN OVER 50u" NICKEL
3) HOLD DOWN : 100u" MIN TIN OVER 50u" NICKEL

3. TRUE POSITION APPLY AT TERMINAL TIP

4. THE STANDARD PACKAGING IS IN TRAY.

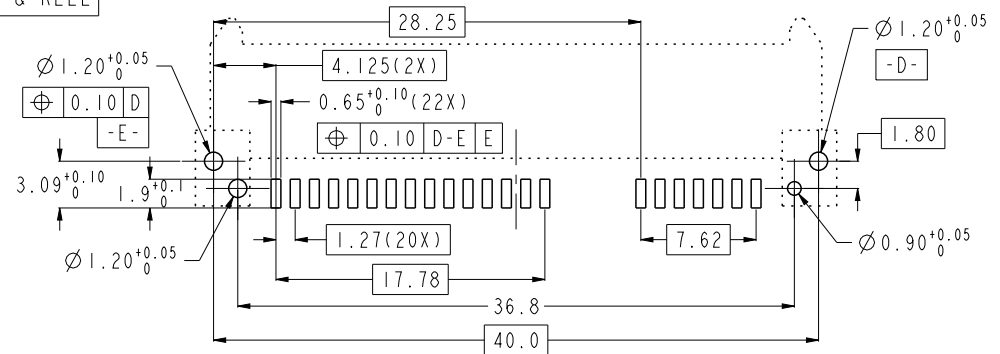
5. THE HOUSING WILL WITHSTAND EXPOSURE TO 260°C PEAK TEMPERATURE FOR 10 SECONDS IN A CONVECTION, INFRA-RED OR VAPOR PHASE REFLOW OVEN

6 THIS PRODUCT MEETS EUROPEAN UNION DIRECTIVES AND OTHER COUNTRY REGULATIONS AS DESCRIBED IN GS-22-008

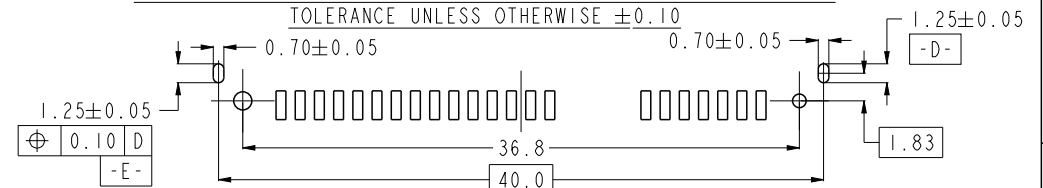
7 PART NUMBERS ENDING IN "LF" ARE MEANT FOR LEAD-FREE IDENTIFICATION. P/N XXXXXXXX-XXXLF IS EQUIVALENT TO PREVIOUS P/N XXXXXXXX-XXX

8. A Δ SYMBOL WILL BE NEXT TO ANY DIMENSION, VIEW, OR NOTE WHICH HAS BEEN MODIFIED WITH THE CURRENT DRAWING REVISION.

RECOMMENDED P.C.B. LAYOUT
TOLERANCE UNLESS OTHERWISE ± 0.10



ALTERNATIVE P.C.B. LAYOUT
REFER TO RECOMMENDED PCB LAYOUT FOR UNSPECIFIED DIMENSIONS
TOLERANCE UNLESS OTHERWISE ± 0.10



| | | | | | | | | | | |
|----------------------|---------|-------|--------------|------------|----------------|-----------------------------|------------------------|---------------|-------|-----|
| spec ref | | dr | w wcadmin | 2006/02/20 | projection | MM \longleftrightarrow | size | A4 | scale | 1:1 |
| tolerance std | | eng | Koon-Poh Tay | 2013/04/10 | | | ecn no | ELX-J-14320-1 | | |
| ASME Y14.5 | | chr | - | - | | | rel level | Released | | |
| surface \checkmark | linear | 0.X | \pm ---- | | product family | - | dwg no | 10029364 | rev | S |
| | | 0.XX | ± 0.20 | | | | | | | |
| | | 0.XXX | \pm ---- | | | | | | | |
| | angular | 0° | \pm ° | | product family | - | Product - Customer Drw | sheet 3 of 3 | | |

Mouser Electronics

Authorized Distributor

Click to View Pricing, Inventory, Delivery & Lifecycle Information:

[FCI:](#)

[10029364-002TRLF](#) [10029364-111TRLF](#) [10029364-111LF](#) [10029364-011LF](#) [10029364-011TRLF](#) [10029364-001TRLF](#)