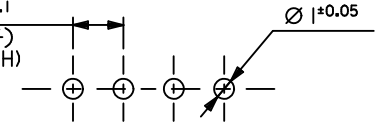


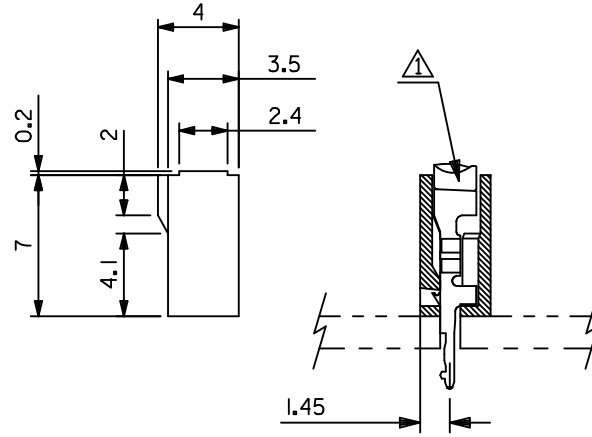
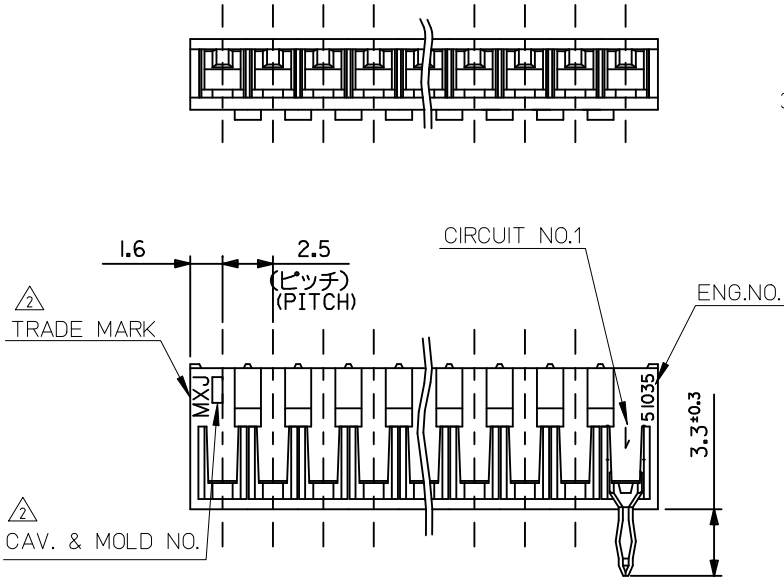
**注記
NOTE**

- △ 適合ターミナル: 50097-8×00
APPLICABLE: 50097-8×00
- △ トレードマーク: MXJにて表示。
キャビティー番号: 1桁から2桁の数字にて表示。 金型番号: アルファベット1文字にて表示。
TRADE MARK IS FORMED BY MXJ.
AND BY 1-2 DIGIT NUMBER (TO CAVITY NO.)
AND BY 1 LETTER OF ALPHABET (TO MOLD NO.)
- 3. ELV及びRoHS適合品
ELV AND RoHS COMPLIANT.

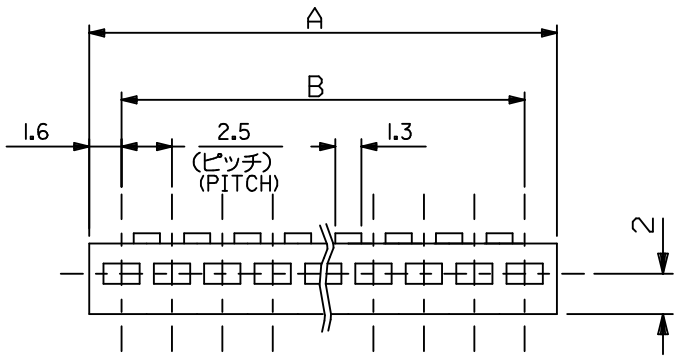
(公差非累積)
(NON-ACCUMULATIVE)
2.5^{+0.1}
(ピッチ)
(PITCH)



基板取付穴推奨寸法 (基板厚: 1.6mm)
RECOMMENDED PC BOARD HOLE DIMENSION
(THICKNESS: 1.6mm)



42.5	45.7	51035 - 1800	18
40.0	43.2	- 1700	17
37.5	40.7	- 1600	16
35.0	38.2	- 1500	15
32.5	35.7	- 1400	14
30.0	33.2	- 1300	13
27.5	30.7	- 1200	12
25.0	28.2	- 1100	11
22.5	25.7	- 1000	10
20.0	23.2	- 0900	9
17.5	20.7	- 0800	8
15.0	18.2	- 0700	7
12.5	15.7	- 0600	6
10.0	13.2	- 0500	5
7.5	10.7	- 0400	4
5.0	8.2	- 0300	3
2.5	5.7	51035 - 0200	2
B	A	ORDER NO.	機 種 CKT.



材料 MATERIAL	NYLON66,UL94V-0
適用電線範囲 WIRE RANGE	AWG#24~20,KV0.2~0.5 AVS0.3~0.5
被覆外径 INS. RANGE	φ1.3~2.1

REVISED EC NO.: J2011-1484 2011/05/12 DRWNR:HORI 2011/05/12 CHKD:KASAKAWA 2011/05/16 APPR:NUKITA	DESCRIPTION 2011/05/16	GENERAL TOLERANCES (UNLESS SPECIFIED)		DIMENSION STYLE MM ONLY		SCALE 4:1	DESIGN UNITS METRIC	THIRD ANGLE PROJECTION		
		10 UNDER	±0.2	DRAWN BY KSANO	DATE 1996/06/30	2.5 BOARD IN CONN. HOUSING MOLEX INCORPORATED SD-51035-001				
		10 OVER 30 UNDER	±0.25	CHECKED BY MSAKANO	DATE 1996/06/30					
		30 OVER	±0.3	APPROVED BY MEMOMOTO	DATE 1996/06/30	DOCUMENT NO.	SHEET NO.			
ANGULAR ±3 ° DRAFT WHERE APPLICABLE MUST REMAIN WITHIN DIMENSIONS		SIZE A3	THIS DRAWING CONTAINS INFORMATION THAT IS PROPRIETARY TO MOLEX INCORPORATED AND SHOULD NOT BE USED WITHOUT WRITTEN PERMISSION							