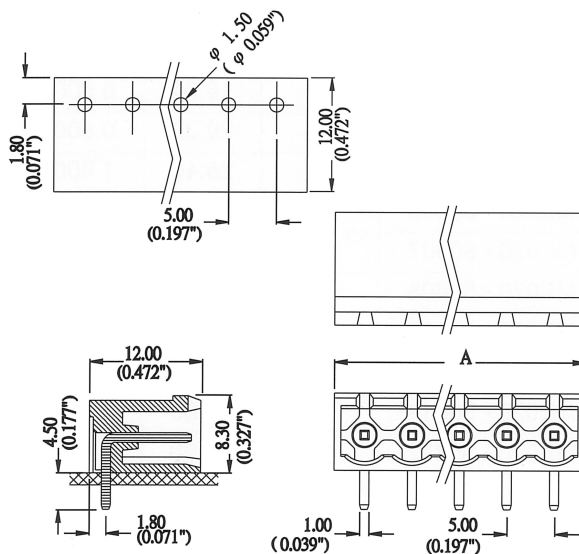
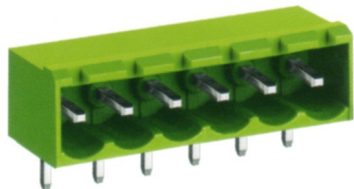




Printed Circuit Board Connectors

Headers • Closed 90° • Pitch:5.00 mm



Material

Solder pin:	□ 1.0 mm, Brass, Tin plated
Insulating Body:	Polyamide66 (UL94V-0)
Color:	Green

Environmental

Operation temperature:	-55 °C to +105 °C
Short-time temperature:	Up to 250 °C (+482 °F)

Electrical

Current rating:	12 amp AC300V
Insulation withstanding volt:	AC2000V min
Insulation resistance:	>5000Ω at DC500V
PDB hole Diameter:	φ 1.5 mm

Item No.	Poles	A (mm)	A (inch)
H-030-50002	2	11.60	0.457
H-030-50003	3	16.60	0.654
H-030-50004	4	21.60	0.850
H-030-50005	5	26.60	1.047
H-030-50006	6	31.60	1.244
H-030-50007	7	36.60	1.441
H-030-50008	8	41.60	1.638
H-030-50009	9	46.60	1.835
H-030-50010	10	51.60	2.031
H-030-50011	11	56.60	2.228
H-030-50012	12	61.60	2.425
H-030-50016	16	121.60	4.787