

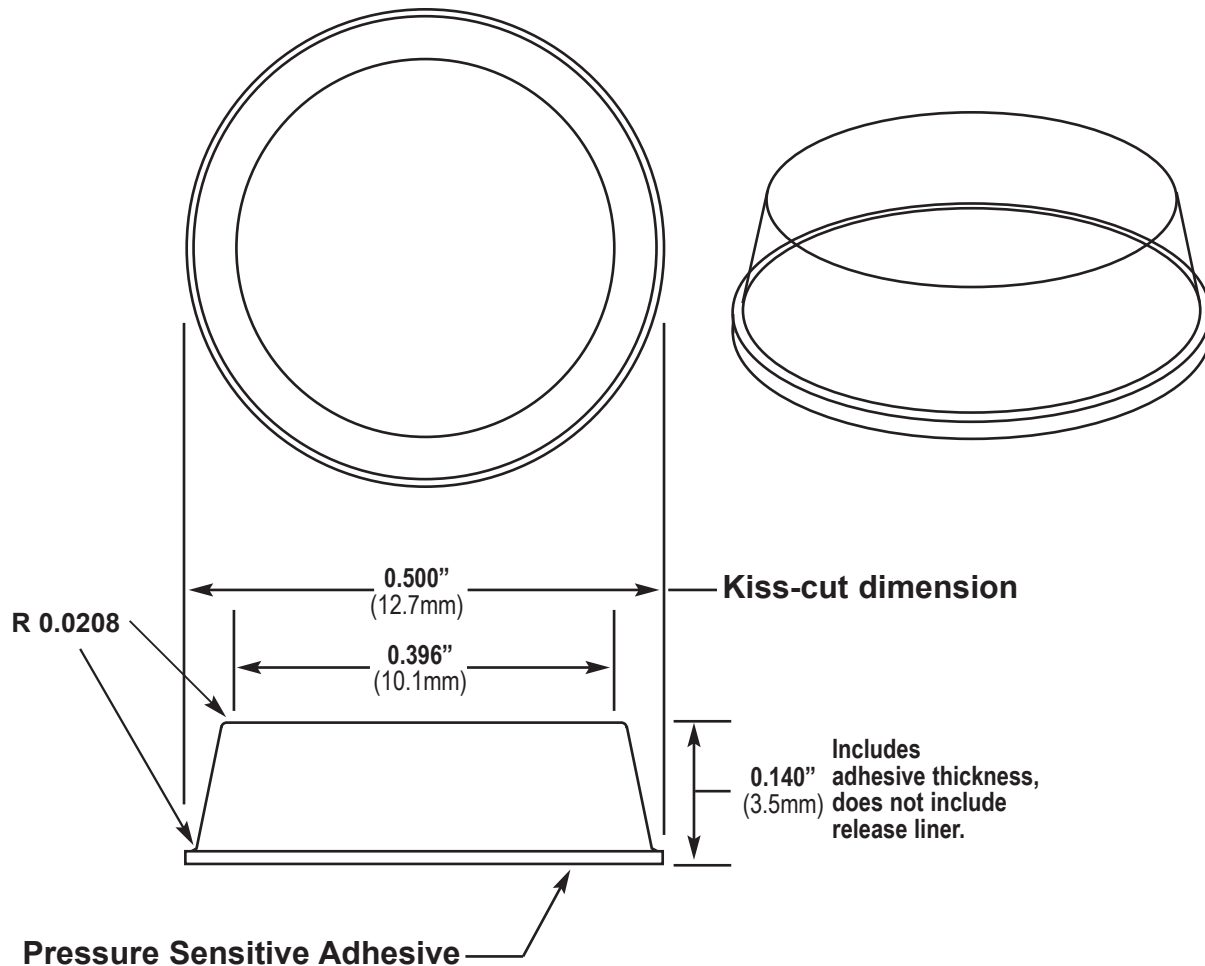


Bumper Specialties, Inc.

Mid Atlantic Corporate Center, 1607 Imperial Way, West Deptford, New Jersey 08066, USA

Phone: 800-541-2500 Fax: 800-220-2840

www.bumperspecialties.com email: bumper@snip.net



BS-1 Mechanical

Actual Size

General Specifications

Material: Polyurethane	Pad Size: 6" x 12"
Pressure Sensitive Adhesive: Acrylic -or- Synthetic Rubber	Per Pad: 200 Pieces — 10 across x 20 down
Durometer, Shore A: 60-70 Standard & 50-55 Softer Durometer	Per Box: 5,000 Pieces — 25 Pads
Tolerance: ±0.02" (.5mm)	Colors: Clear, Black, Brown, White & Gray