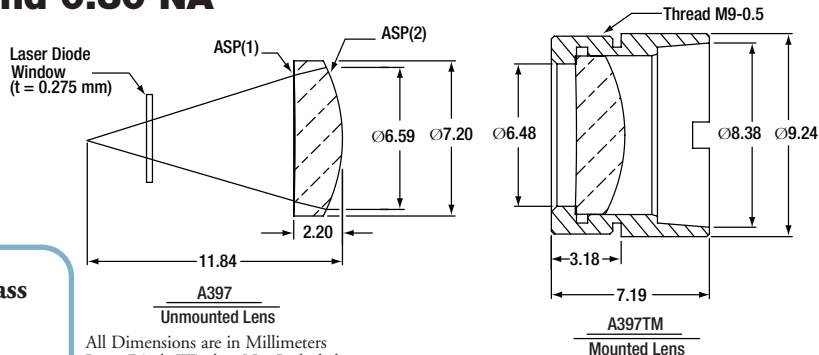


AR Coating Plots Page 717

## A397 f = 11.00 mm and 0.30 NA



### Rochester Precision Molded Glass Aspheric Lens

Optical Design Specifications

- Design Wavelength: 670 nm
- Numerical Aperture: 0.30
- Clear Aperture:  $\varnothing 6.59$  mm
- Effective Focal Length: 11.00 mm
- Unmounted Working Distance: 9.64 mm
- Mounted Working Distance: 8.44 mm
- Magnification: Infinite
- Laser Window Thickness: 0.275 mm
- Laser Window Material/Index: N-BK7/1.514 @ 670 nm
- Diffraction-Limited Range: 425 – 1685 nm
- Surface Quality: 40-20 Scratch-Dig
- Glass (CDGM): H-LAK54

All Dimensions are in Millimeters  
Laser Diode Window Not Included

Please refer to our website for complete models and drawings.

#### Aspheric Coefficients

	R	k	A <sub>4</sub>	A <sub>6</sub>	A <sub>8</sub>	A <sub>10</sub>
ASP (1)	-107.51	-	-	-	-	-
ASP (2)	-7.47	-	1.5941000E-04	2.4510000E-06	2.5470000E-08	-

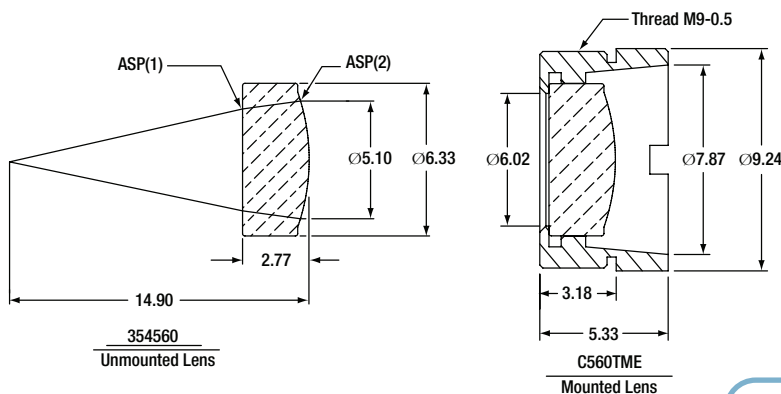
#### Unmounted, AR-Coated Aspheric Lenses

ITEM #	\$	£	€	RMB	DESCRIPTION
A397-A	\$ 81.55	£ 58.72	€ 70.95	¥ 649.95	Lens, AR-Coated: 350 – 700 nm
A397-B	\$ 81.55	£ 58.72	€ 70.95	¥ 649.95	Lens, AR-Coated: 650 – 1050 nm
A397-C	\$ 81.55	£ 58.72	€ 70.95	¥ 649.95	Lens, AR-Coated: 1050 – 1620 nm

#### Mounted, AR-Coated Aspheric Lenses

ITEM #	\$	£	€	RMB	DESCRIPTION
A397TM-A	\$ 86.55	£ 62.32	€ 75.30	¥ 689.80	Mounted Lens, AR-Coated: 350 – 700 nm
A397TM-B	\$ 86.55	£ 62.32	€ 75.30	¥ 689.80	Mounted Lens, AR-Coated: 650 – 1050 nm
A397TM-C	\$ 86.55	£ 62.32	€ 75.30	¥ 689.80	Mounted Lens, AR-Coated: 1050 – 1620 nm

## 354560 f = 13.86 mm and 0.18 NA



All Dimensions are in Millimeters



Mechanical Drawings Available on the WEB

#### Aspheric Coefficients

	R	k	A <sub>4</sub>	A <sub>6</sub>	A <sub>8</sub>	A <sub>10</sub>
ASP (1)	-	-	-	-	-	-
ASP (2)	-8.09	-0.6789586	-2.3949836E-05	-	-	-

#### Unmounted, AR-Coated Aspheric Lenses

ITEM #	\$	£	€	RMB	DESCRIPTION
354560-A	\$ 74.00	£ 53.28	€ 64.38	¥ 589.78	Lens, AR-Coated: 400 – 600 nm
354560-B	\$ 74.00	£ 53.28	€ 64.38	¥ 589.78	Lens, AR-Coated: 600 – 1050 nm
354560-C	\$ 74.00	£ 53.28	€ 64.38	¥ 589.78	Lens, AR-Coated: 1050 – 1620 nm

#### Mounted, AR-Coated Aspheric Lenses

ITEM #	\$	£	€	RMB	DESCRIPTION
C560TME-A	\$ 79.00	£ 56.88	€ 68.73	¥ 629.63	Mounted Lens, AR-Coated: 400 – 600 nm
C560TME-B	\$ 79.00	£ 56.88	€ 68.73	¥ 629.63	Mounted Lens, AR-Coated: 600 – 1050 nm
C560TME-C	\$ 79.00	£ 56.88	€ 68.73	¥ 629.63	Mounted Lens, AR-Coated: 1050 – 1620 nm

### Geltech™ Molded Glass Aspheric Lens

Optical Design Specifications

- Design Wavelength: 650 nm
- Numerical Aperture: 0.18
- Clear Aperture:  $\varnothing 5.10$  mm
- Effective Focal Length: 13.86 mm
- Unmounted Working Distance: 12.11 mm
- Mounted Working Distance: 11.74 mm
- Magnification: Infinite
- Diffraction-Limited Range: 365 – 2325 nm
- Surface Quality: 40-20 Scratch-Dig
- Glass: D-ZK3

Geltech™ lenses are manufactured by LightPath® Technologies