

SPECIFICATIONS

Material: APM RUBGLAS™ (transparent silicone rubber), polymer type, ASTM D1418.

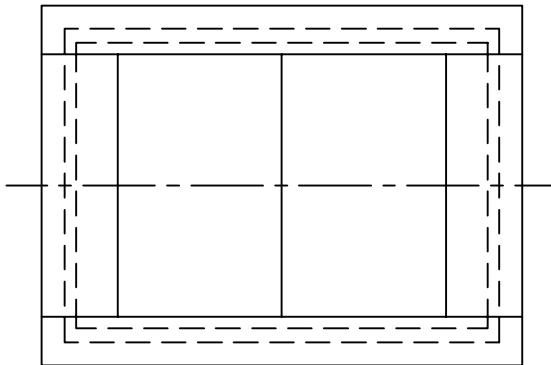
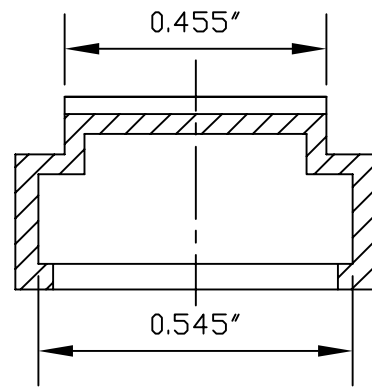
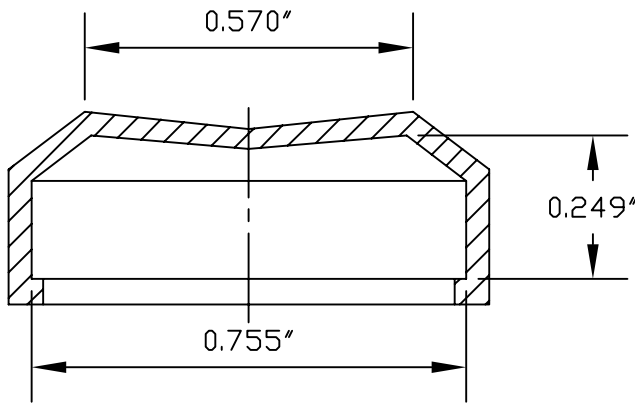
Temperature Range: -80°F to +400°F

Operational Life: 50,000 actuations (minimum).

Shelf Life: Excess of 25 years.

Resistant to: Salt spray, sunlight, ozone, weather, fungus, and most acids and lubricating oils

Agency Recognition: Rock-R-Seals™ are UL-listed to UL Std. 50, types 1,2, 4R, 5, 12, 12k, 13 and meet CSA standard



B	CHANGED DWG # FROM C1113/66 to 1113/66, REVISED TITLE FOR ACCURACY			07.22.08
A	CAD COMPUTER GENERATED			10.23.02
REV.	DESCRIPTION			DATE
MAXIMUM AND MINIMUM MEASUREMENTS ARE STATED DIRECTLY ON EACH DIMENSION.	TITLE:	ROCKER SWITCH		ENG. S. GOK 07.22.08
		BOOT ONE POLE		DWN. M.M. 02.21.86
				CHKD. J. CELLA 07.22.08
MAT'L: RUBGLAS®	APM-HEXSEAL CORPORATION	SCALE	DWG. NO.	1113/66
FINISH: TRANSPARENT		3:1		

THIS DRAWING COVERS PROPRIETARY ITEM AND IS THE PROPERTY OF THE APM-HEXSEAL CORPORATION.
THIS DRAWING IS NOT TO BE COPIED OR USED WITHOUT THE WRITTEN APPROVAL OF AN OFFICER OF THE APM-HEXSEAL CORPORATION.

Mouser Electronics

Authorized Distributor

Click to View Pricing, Inventory, Delivery & Lifecycle Information:

[APM HEXSEAL:](#)

[C1113/66](#)