

Ethernet Patch Cables

Cat5e STP Ethernet Patch Cables

Connectivity

Ethernet is a multi-purpose communication protocol that has become the data standard for the industrial market. AutomationDirect offers several PLC's, HMI's and drives that support the Ethernet Protocols for data distribution, software programming and configuration.

Designed for Industrial Use

The noise interference radiated from electrical components that is often associated with factory floor environments can result in partial or complete data loss. This may result in delays or complete communication loss in extremely noisy environments.

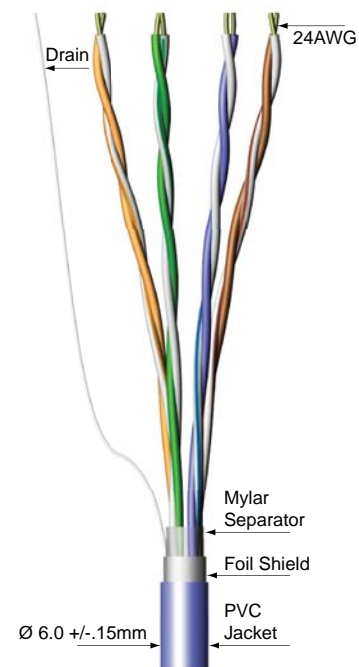
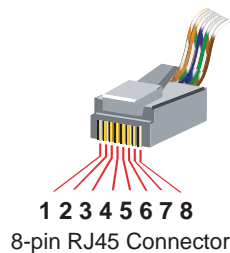
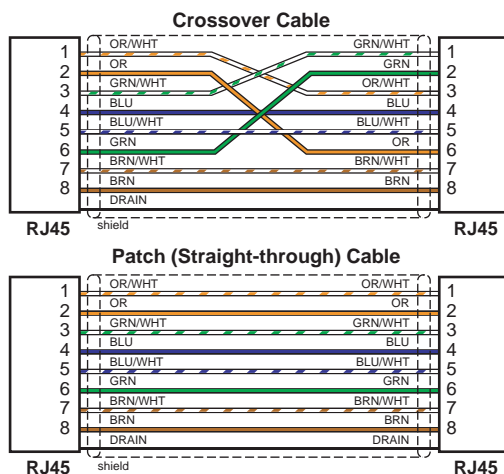
Our Ethernet patch cables are designed to reduce the effects of (EMI) electromagnetic interference by incorporating a single metal foil shield that wraps around the entire set of 8 wires in the Cat5e cable. The RJ45 connectors are also shielded against electrical interference and designed to be robust. Our 350 MHz cables exceed all Cat5e TIA/EIA standards, and drastically reduce both impedance and structural return loss (SRL) when compared to standard 100 MHz cables.

With several colors and lengths to choose from at great pricing, these cables should help you in creating solid, reliable Ethernet networks with any application.



Features

- Connector; 50-micron gold plated RJ45 male plugs
- Conductor; 4-pair 24 AWG stranded copper
- Overall foil shielded cable for industrial applications
- Crossover cables have "crossover" label on each end.
- Exceeds Category 5e specifications, 350MHz
- Multiple lengths and colors
- CM rated, suitable for general use other than plenum spaces
- RoHS compliant



Ethernet Patch Cables

Straight Through Patch Cables				
Part Number	Color	Description	Length	Price
C5E-STPGY-S3	Gray	Ethernet patch cable, Cat5e STP (Twisted Pairs with overall foil Shield), 3 ft. (0.9m) length, PVC cable jacket. RJ-45 male connectors, 350 MHz, 4-pair 24 AWG stranded copper. Can support 10 / 100 / 1000 Mbps; exceeds Category 5e cable specifications.	3' (0.91 m)	<--->
C5E-STPBK-S3	Black			<--->
C5E-STPBL-S3	Blue			<--->
C5E-STPGN-S3	Green			<--->
C5E-STPPL-S3	Purple			<--->
C5E-STPRD-S3	Red			<--->
C5E-STPYL-S3	Yellow			<--->
C5E-STPOR-S3	Orange			<--->
C5E-STPGY-S7	Gray	Ethernet patch cable, Cat5e STP (Twisted Pairs with overall foil Shield), 7 ft. (2.1m) length, PVC cable jacket. RJ-45 male connectors, 350 MHz, 4-pair 24 AWG stranded copper. Can support 10 / 100 / 1000 Mbps; exceeds Category 5e cable specifications.	7' (2.13 m)	<--->
C5E-STPBK-S7	Black			<--->
C5E-STPBL-S7	Blue			<--->
C5E-STPGN-S7	Green			<--->
C5E-STPPL-S7	Purple			<--->
C5E-STPRD-S7	Red			<--->
C5E-STPYL-S7	Yellow			<--->
C5E-STPOR-S7	Orange			<--->
C5E-STPGY-S10	Gray	Ethernet patch cable, Cat5e STP (Twisted Pairs with overall foil Shield), 10 ft. (3.0m) length, PVC cable jacket. RJ-45 male connectors, 350 MHz, 4-pair 24 AWG stranded copper. Can support 10 / 100 / 1000 Mbps; exceeds Category 5e cable specifications.	10' (3.05 m)	<--->
C5E-STPBK-S10	Black			<--->
C5E-STPBL-S10	Blue			<--->
C5E-STPGN-S10	Green			<--->
C5E-STPPL-S10	Purple			<--->
C5E-STPRD-S10	Red			<--->
C5E-STPYL-S10	Yellow			<--->
C5E-STPOR-S10	Orange			<--->
C5E-STPGY-S14	Gray	Ethernet patch cable, Cat5e STP (Twisted Pairs with overall foil Shield), 14 ft. (4.3m) length, PVC cable jacket. RJ-45 male connectors, 350 MHz, 4-pair 24 AWG stranded copper. Can support 10 / 100 / 1000 Mbps; exceeds Category 5e cable specifications.	14' (4.3 m)	<--->
C5E-STPBK-S14	Black			<--->
C5E-STPBL-S14	Blue			<--->
C5E-STPGN-S14	Green			<--->
C5E-STPPL-S14	Purple			<--->
C5E-STPRD-S14	Red			<--->
C5E-STPYL-S14	Yellow			<--->
C5E-STPOR-S14	Orange			<--->
C5E-STPGY-S25	Gray	Ethernet patch cable, Cat5e STP (Twisted Pairs with overall foil Shield), 25 ft. (7.5m) length, PVC cable jacket. RJ-45 male connectors, 350 MHz, 4-pair 24 AWG stranded copper. Can support 10 / 100 / 1000 Mbps; exceeds Category 5e cable specifications.	25' (7.6 m)	<--->
C5E-STPBK-S25	Black			<--->
C5E-STPBL-S25	Blue			<--->
C5E-STPGN-S25	Green			<--->
C5E-STPPL-S25	Purple			<--->
C5E-STPRD-S25	Red			<--->
C5E-STPYL-S25	Yellow			<--->
C5E-STPOR-S25	Orange			<--->
C5E-STPGY-S50	Gray	Ethernet patch cable, Cat5e STP (Twisted Pairs with overall foil Shield), 50 ft. (15.2m) length, PVC cable jacket. RJ-45 male connectors, 350 MHz, 4-pair 24 AWG stranded copper. Can support 10 / 100 / 1000 Mbps; exceeds Category 5e cable specifications.	50' (15.2 m)	<--->
C5E-STPBK-S50	Black			<--->
C5E-STPBL-S50	Blue			<--->
C5E-STPGN-S50	Green			<--->
C5E-STPPL-S50	Purple			<--->
C5E-STPRD-S50	Red			<--->
C5E-STPYL-S50	Yellow			<--->
C5E-STPOR-S50	Orange			<--->

Ethernet Patch Cables

Crossover Patch Cables				
Part Number	Color	Description	Length	Price
C5E-STPYL-C3	Yellow	Ethernet crossover patch cable, Cat5e STP (Twisted Pairs with overall foil Shield), 3 ft. (0.9m) length, PVC cable jacket. RJ-45 male connectors, 350 MHz, 4-pair 24 AWG stranded copper; labeled as "Crossover" on both ends. Can support 10 / 100 / 1000 Mbps; exceeds Category 5e cable specifications.	3' (0.91 m)	<---
C5E-STPOR-C3	Orange			<---
C5E-STPYL-C7	Yellow	Ethernet crossover patch cable, Cat5e STP (Twisted Pairs with overall foil Shield), 7ft (2.1m) length, PVC cable jacket. RJ-45 male connectors, 350 MHz, 4-pair 24 AWG stranded copper; labeled as "Crossover" on both ends. Can support 10 / 100 / 1000 Mbps; exceeds Category 5e cable specifications.	7' (2.13 m)	<---
C5E-STPOR-C7	Orange			<---
C5E-STPYL-C10	Yellow	Ethernet crossover patch cable, Cat5e STP (Twisted Pairs with overall foil Shield), 10ft (3.0m) length, PVC cable jacket. RJ-45 male connectors, 350 MHz, 4-pair 24 AWG stranded copper; labeled as "Crossover" on both ends. Can support 10 / 100 / 1000 Mbps; exceeds Category 5e cable specifications.	10' (3.05 m)	<---
C5E-STPOR-C10	Orange			<---
C5E-STPYL-C14	Yellow	Ethernet crossover patch cable, Cat5e STP (Twisted Pairs with overall foil Shield), 14ft (4.3m) length, PVC cable jacket. RJ-45 male connectors, 350 MHz, 4-pair 24 AWG stranded copper; labeled as "Crossover" on both ends. Can support 10 / 100 / 1000 Mbps; exceeds Category 5e cable specifications.	14' (4.3 m)	<---
C5E-STPOR-C14	Orange			<---
C5E-STPYL-C25	Yellow	Ethernet crossover patch cable, Cat5e STP (Twisted Pairs with overall foil Shield), 25ft (7.5m) length, PVC cable jacket. RJ-45 male connectors, 350 MHz, 4-pair 24 AWG stranded copper; labeled as "Crossover" on both ends. Can support 10 / 100 / 1000 Mbps; exceeds Category 5e cable specifications.	25' (7.6 m)	<---
C5E-STPOR-C25	Orange			<---
C5E-STPYL-C50	Yellow	Ethernet crossover patch cable, Cat5e STP (Twisted Pairs with overall foil Shield), 50ft (15.2m) length, PVC cable jacket. RJ-45 male connectors, 350 MHz, 4-pair 24 AWG stranded copper; labeled as "Crossover" on both ends. Can support 10 / 100 / 1000 Mbps; exceeds Category 5e cable specifications.	50' (15.2 m)	<---
C5E-STPOR-C50	Orange			<---

