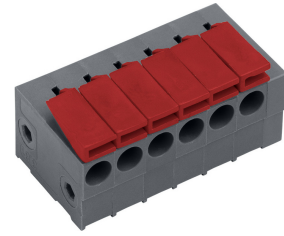


AKZ4701/..KD-3.81-H-BASALT GREY




1- to n-poles



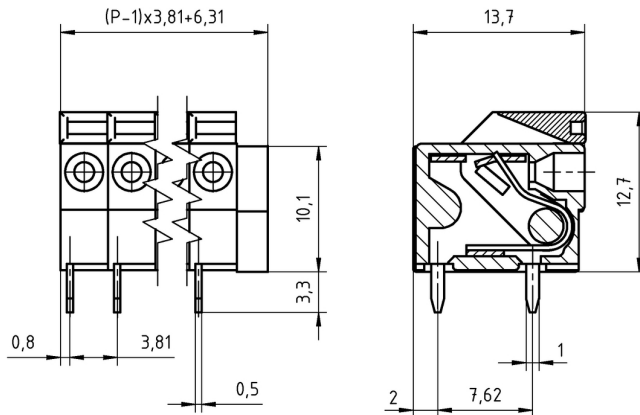
Technical Data

Wire Sizes		Insulating Material	
Solid min	0.14 mm ²	Material	PBT
solid max	1.5 mm ²	Flammability Class	UL 94 V-0
Stranded (flexible) min	0.14 mm ²	Temperatures	
Stranded (flexible) max	1.5 mm ²	Operating Temperature	-30 °C - 105 °C
Stranded with Ferrule min	0.14 mm ²	Wave Soldering Process	
Stranded with Ferrule max	0.34 mm ²	Soldering Temperature, recommended	265 °C
Dimensions		Peak Soldering Time, recommended	3-4 s
Stripped Length	10.0 mm	Reflow Process	
PCB Hole Diameter	1.4 mm	Soldering Temperature, recommended	-
Materials		Peak Soldering Time, recommended	-
Solder Tag	Brass		
Clamp Spring	Stainless Steel		

Colours

	BASALT GREY, RAL7012
	GREEN, RAL6018
	LIGHT GREEN, similar RAL 6018

Colours according to RAL, there may be variations on colour due to production conditions.
Special colours on request.



Order Data (Spacing 3.81 mm)

Poles	Width (mm)	Article Designation	Article Number	PU
2	10.12	AKZ4701/2KD-3.81-H-BASALT GREY	54701020422F	200
3	13.93	AKZ4701/3KD-3.81-H-BASALT GREY	54701030422F	200
4	17.74	AKZ4701/4KD-3.81-H-BASALT GREY	54701040422F	200
5	21.55	AKZ4701/5KD-3.81-H-BASALT GREY	54701050422E	100
6	25.36	AKZ4701/6KD-3.81-H-BASALT GREY	54701060422E	100
7	29.17	AKZ4701/7KD-3.81-H-BASALT GREY	54701070422E	100
8	32.98	AKZ4701/8KD-3.81-H-BASALT GREY	54701080422D	50
9	36.79	AKZ4701/9KD-3.81-H-BASALT GREY	54701090422D	50
10	40.60	AKZ4701/10KD-3.81-H-BASALT GREY	54701100422D	50
11	44.41	AKZ4701/11KD-3.81-H-BASALT GREY	54701110422D	50
12	48.22	AKZ4701/12KD-3.81-H-BASALT GREY	54701120422D	50

Ratings



Usegroup	B	C	D		
Rated Voltage	300 V	-	300 V	130 V	
Rated Current	6 A	-	6 A	12 A	
Rated Wire Size				min	max
	solid	AWG 26-16	-	AWG 26-16	0.2 mm ² 1.5 mm ²
	stranded	AWG 26-16	-	AWG 26-16	0.2 mm ² 1.5 mm ²
Test Voltage	1.6 kV	-	1.6 kV	1.25 kV	

* Approval Pending