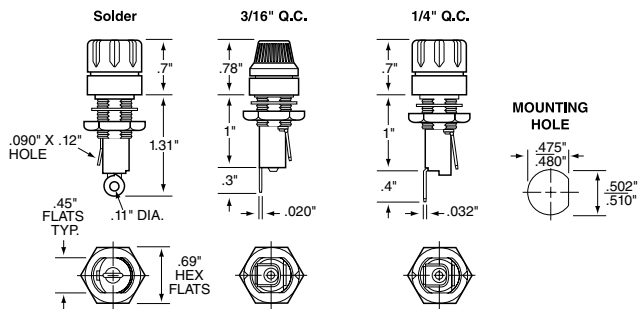


**342 Series Panel Mount Enclosed Fuse Holders for 3AG Fuses**

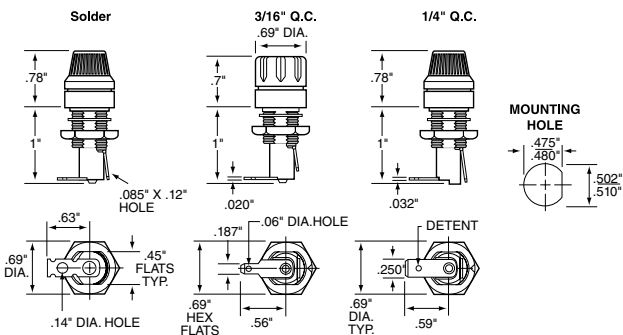


**Dimensions**

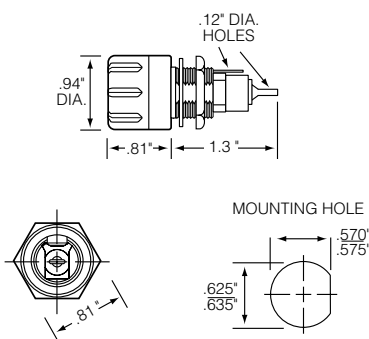
General Application / Straight Terminal Product Dimensions



General Application / Right Angle Terminal Product Dimensions



Watertight Product Dimensions



**Product Characteristics**

	General Application Products	Watertight Product
<b>Compatible Fuses</b>	3AG	
<b>Electrical</b>	Rated at 20 amperes for any voltage up to 250 volts.	
<b>Ambient Temperature</b>	-40°C to +85°C.	
<b>Dielectric Strength</b>	2400 volts minimum.	1500 volts minimum.
<b>Mounting</b>	Withstands 15 lb.-in. mounting torque; maximum panel thickness: .187\"	Withstands 15 lb.-in. mounting torque; maximum panel thickness is .250\"
<b>Molded Parts</b>	Black thermoplastic (UL94 V-0).	Black thermoset (UL94 V-0).
<b>Seal</b>	Not Applicable	O-ring provides a watertight seal on the front side of the panel per MIL-PRF-19207.
<b>Terminals</b>	Copper & copper alloy. Tin plated, except ¼\" Quick-Connect terminals are nickel plated.	Copper & copper alloy. Tin plated.
<b>Hardware</b>	Comes with a mounting nut and neoprene washer	O-rings (2) and hex nut, unassembled.

**Agency Approvals**

Agency	Agency File Number
	IZLT2.E14721
	007316 (*Except 342 006 and 342 012)

**Ordering Information**

	Body Terminal Type		Catalog Number	
	Angle	Connect	Fluted Knob	Knurled Knob
<b>General Application Products:</b>				
Straight	Solder		<b>342 014</b>	<b>342 012 *</b>
	3/16\" Q.C.		<b>342 038</b>	<b>342 058</b>
	1/4\" Q.C.		<b>342 838</b>	<b>342 858</b>
Right Angle	Solder		<b>342 004</b>	<b>342 022</b>
	3/16\" Q.C.		<b>342 028</b>	<b>342 048</b>
	1/4\" Q.C.		<b>342 828</b>	<b>342 848</b>
<b>Watertight Product:</b>				
Straight	Solder		<b>342 006 *</b>	Not Applicable

NOTE: Ensure that proper fuse de-rating is factored in fuseholder selection.

**Additional Information**



Datasheet



Resources



Samples

# Mouser Electronics

Authorized Distributor

Click to View Pricing, Inventory, Delivery & Lifecycle Information:

## Littelfuse:

[03420104HX040](#) [03420012HX010](#) [03420012HX040](#) [342012L](#) [342028A](#) [342838A](#) [342838P](#) [342858P](#) [03420001X](#)  
[03420838HX010](#) [03420828X](#) [03420004HXP](#) [03420028HXL](#) [03420004HXPL](#) [03420848X](#) [03420828H](#) [03420038X](#)  
[03420028X](#) [03420838HXP](#) [03420858HXL](#) [03420021Z](#) [03420014H](#) [03420838H](#) [03420058HXL](#) [03420058X](#)  
[03420048HXL](#) [03420858H](#) [03420858HXP](#) [03420012HXL](#) [03420848H](#) [03420012X](#) [03420024Z](#) [03420858HXPL](#)  
[03420012HXP](#) [03420848HXL](#) [03420038H](#) [03420014HXL](#) [03420048X](#) [03420028H](#) [03420014X](#) [03420838HXL](#)  
[03420058H](#) [03420012H](#) [03420022X](#) [03420038HXL](#) [03420022HXL](#) [03420048H](#) [03420828HXL](#) [03420858X](#)  
[03420006Z](#) [03420025Z](#) [03420048HXPL](#) [03420022H](#) [03420004H](#) [03420004HXL](#) [03420838X](#) [03420001H](#)  
[03420006T](#) [03420858XXL](#) [03420838HXA](#)