

127 mm sq.

San Ace 127

38mm thick



General Specifications With a pulse sensor

- Material Frame: Aluminum, Impeller:Plastics (Flammability: UL94V-0)
- Life Expectancy Varies for each model (L10:Survival rate:90% at 60°C ,
rated voltage, and continuously run in a free air state)
- Lead Wire ⊕red ⊖black or blue (Sensor) yellow
- Storage Temperature -30°C to +70°C (Non-condensing)

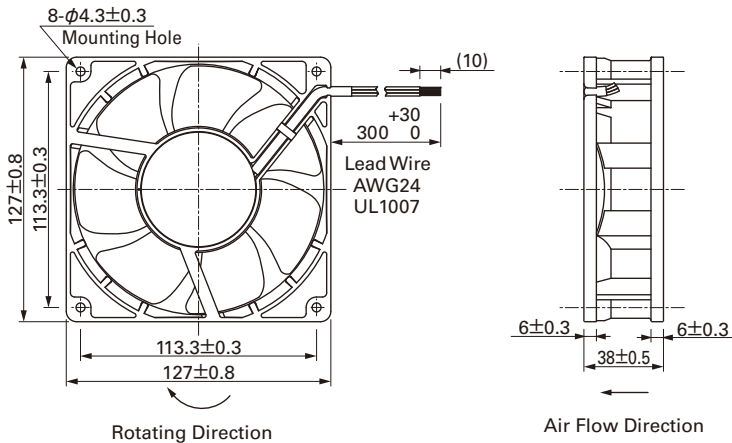
127×127×38mm (Mass : 400g)

Specifications

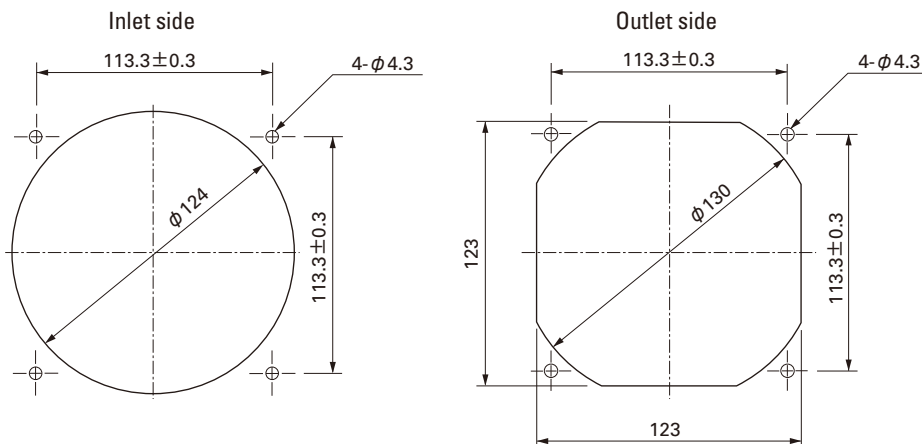
Model No.	Rated Voltage [V]	Operating Voltage Range [V]	Rated Current [A]	Rated Input [W]	Rated Speed [min ⁻¹]	Air Flow [m ³ /min] [CFM]	Static Pressure [Pa] [inchH ₂ O]	SPL [dB(A)]	Operating Temperature [°C]	Life Expectancy [h]
109E1312A101	12	10.2 to 13.8	1.4	16.8	3,850	4.81 170	155 0.622	52	-10 to +70	60,000
109E1312S101			1.2	14.4	3,450	4.37 154	125 0.502	49		
109E1324G101	24	20.4 to 27.6	1.1	25.1	4,550	5.66 200	216 0.867	57	-10 to +60	40,000
109E1324A101			0.7	16.8	3,850	4.81 170	155 0.622	52		
109E1324S101			0.53	12.7	3,450	4.37 154	125 0.502	49		
109E1348G101	48	40.8 to 55.2	0.54	25.9	4,550	5.66 200	216 0.867	57	-10 to +60	40,000
109E1348A101			0.36	17.3	3,850	4.81 170	155 0.622	52		
109E1348S101			0.28	13.4	3,450	4.37 154	125 0.502	49		

Without Sensor **Pulse Sensor** Available in all models. **Lock Sensor** **Low speed Sensor** Please inquire as the availability of these functions depend on the model.

Dimensions (Unit : mm)



Reference dimension of mounting holes and vent opening (Unit : mm)



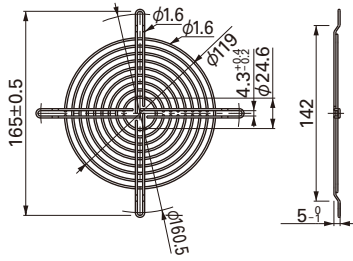
Options (Unit : mm)

Finger guards

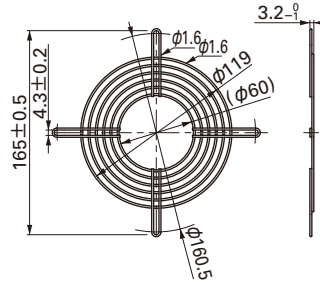
Model : 109-722 Surface treatment : Nickel-chrome plating (silver) Color

Model : 109-723 Surface treatment : Nickel-chrome plating (silver) Color

Inlet side, Outlet side

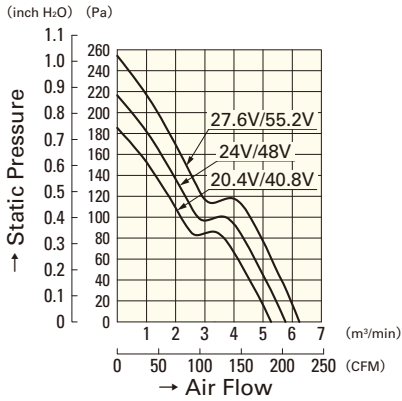


Outlet side



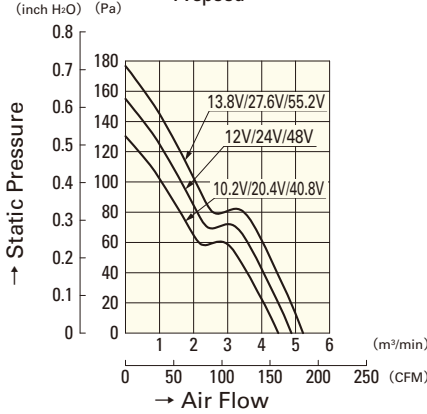
Air Flow and Static Pressure Characteristics

G speed



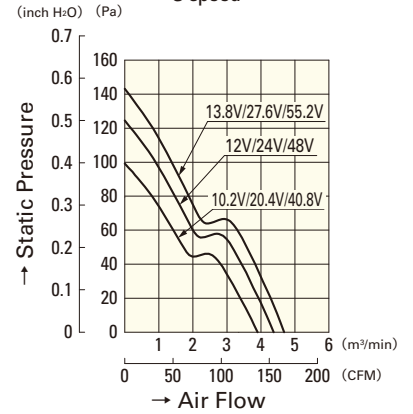
109E1324G101
109E1348G101

A speed



109E1312A101
109E1324A101
109E1348A101

S speed



109E1312S101
109E1324S101
109E1348S101