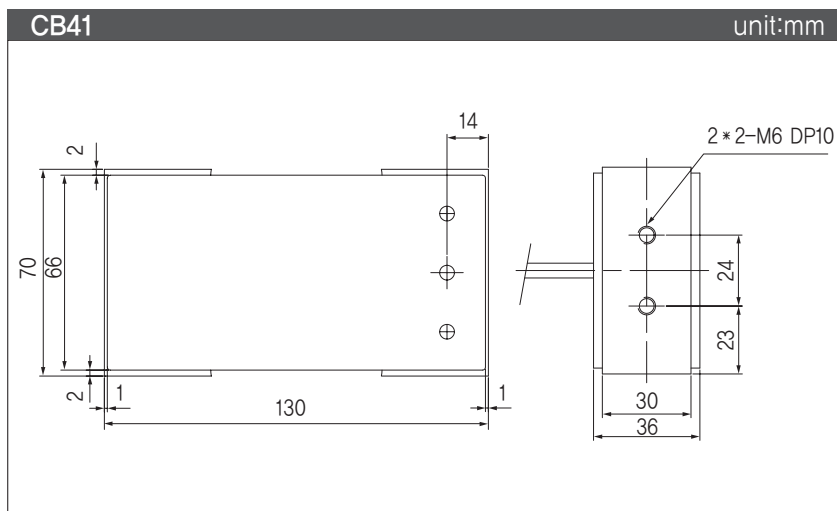


BENDING BEAM LOAD CELLS

> Model CB41

Single point load cell
 High accuracy and low price.
 Low profile scales and automatic check
 weight systems.



> SPECIFICATIONS

Specifications	Accuracy
Rated capacity(R.C)	3kgf, 10kgf
Rated output(R.O)	2mV/V±10%
Nonlinearity	0.02% of R.O.
Hysteresis	0.02% of R.O.
Repeatability	0.02% of R.O.
Creep(20min)	0.03% of R.O.
Zero balance	±5% of R.O.
Terminal resistance input	420±20Ω
Terminal resistance output	350±2Ω
Insulation resistance bridge	2000MΩ
Temperature effect on rated output	0.02% of LOAD/10°C
Temperature effect on zero balance	0.05% of R.O./10°C
Temperature range, compen	-10~50°C
Temperature range, safe	-10~50°C
Excitation recommended	10V
Safe overload	150% R.C.
Cable length	Ø3 4CORE, 40Cm
Wiring Information	EXC+ : RED, EXC- : White, SIG+ : Black, SIG- : Green

★Specifications are subject to change without notice.