

# Fuji Molded Case Circuit Breakers – Field-mountable Accessories



## Defeatable Rotary Handle Operating Mechanisms

**BW9V0CA shown**

### Rotary Operating Handles for Fuji MCCBs – Selection Guide

Breaker Type	V-type Handle	Price	V-type Handle	With the optional shaft (x= 6.102 (155))		With the optional shaft (x= 24.567 (624))		Mounting Screw	V-type Handle Mass lb. (kg)
			H: inch(mm)	Max. Mounting Depth H: inch(mm)	Range in which the hinge with H can be installed	Max. Mounting Depth H: inch(mm)	Range in which the hinge with H can be installed		
BW125	BW9V0CA	\$45.00	4.134±0.078 (105±2)	9.843±0.078 (250±2)	5.512 to 9.843 (140 to 250)	28.307±0.078 (719±2)	28.307 - 5.591 (124 - 719)	M4 x 3.35 (85)	1.48 (0.67)
BW250	BW9V0GA	\$45.00							

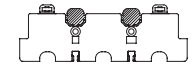
### Dimensions

Units: inches [mm]

Notes: • Handle is an operating mechanism only; not for sealing enclosure door.

• Not available for side mounting

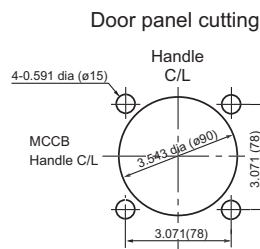
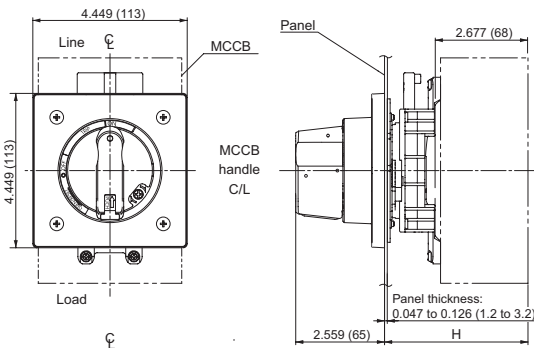
• For BW250 Series only: When mounting a terminal cover, cut away part of it because it hides the mounting screws for the breaker.



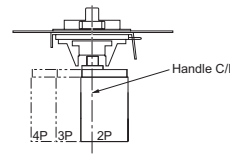
Remove the shaded parts in the figure.

125A, 250A Frame V type handle

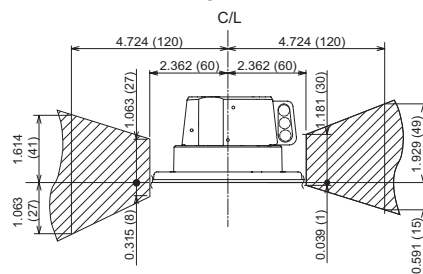
- BW9V0CA, BW9V0GA (BW9VSG0, BW9VSG0-24: optional shafts)



Note: Align the center of the hole cut in the panel with the center of the breaker handle.

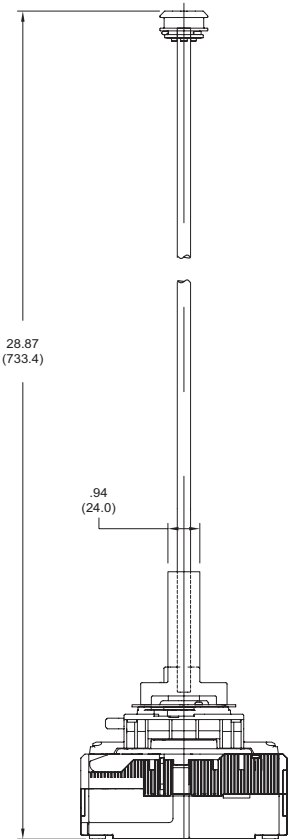
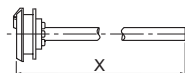


Door hinge installation area



Install the door hinge in the shaded area.

Optional shafts  
 BW9VSG0  
 X = 6.102 (155)  
 BW9VSG0-24  
 X = 24.567 (624)



BW9VSG0-24 optional shaft Breaker and Shaft Assembly

# Fuji Molded Case Circuit Breakers – Field-mountable Accessories



## Rotary Operating Handles for Fuji MCCBs – Selection Guide

Breaker Type	V-type Handle	Price	V-type Handle	With the optional shaft (x= 3.504 (89))		With the optional shaft (x= 24 (609.6))		Mounting Screw	V-type Handle Mass lb. (kg)
			H: inch(mm)	Max. Mounting Depth H: inch(mm)	Range in which the hinge with H can be installed	Max. Mounting Depth H: inch(mm)	Range in which the hinge with H can be installed		
BW400	BW9V0HA	\$67.50	7.48±0.078 (190±2)	9.843±0.078 (250±2)	7.95 to 9.843 (202to 250)	30.35±0.078 (771±2)	7.95 - 30.35 (202 - 771)	M4 x 3.35 (85)	1.48 (0.67)
BW630	BW9V0JA	\$60.25							
BW800									

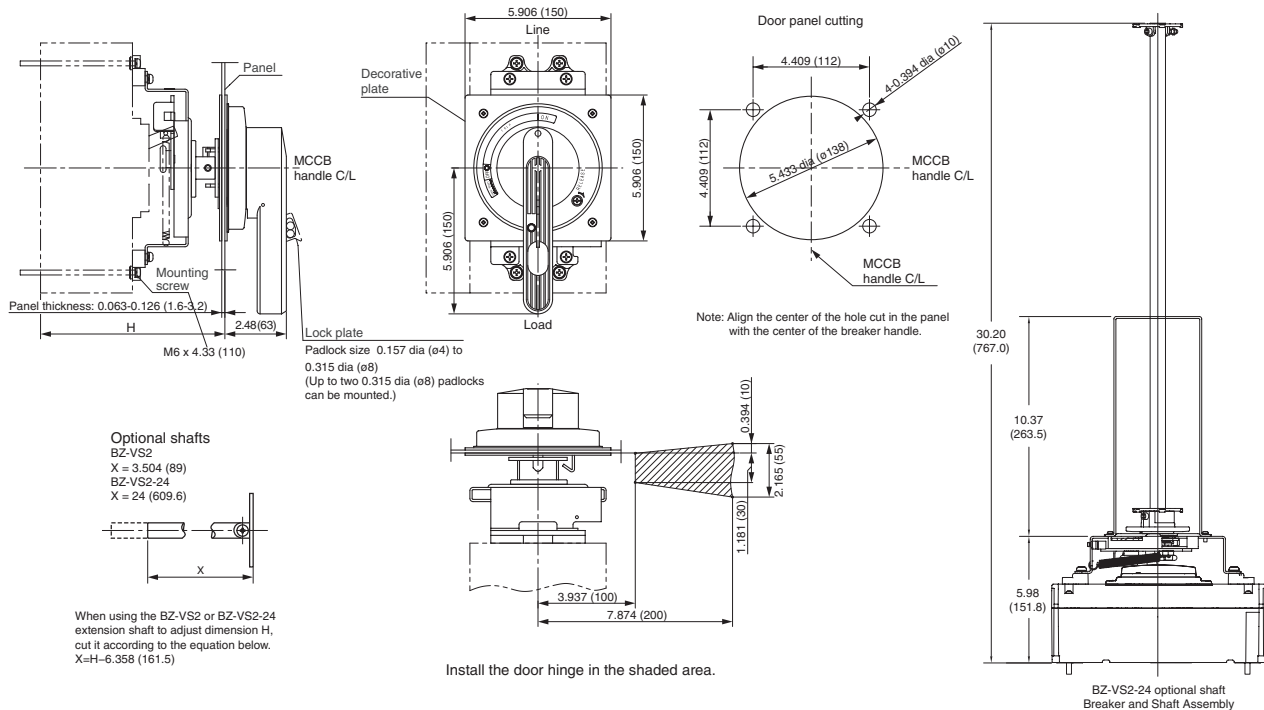
Notes: • Handle is an operating mechanism only; not for sealing enclosure door.  
 • Not available for side mounting

## Dimensions

Units: inches [mm]

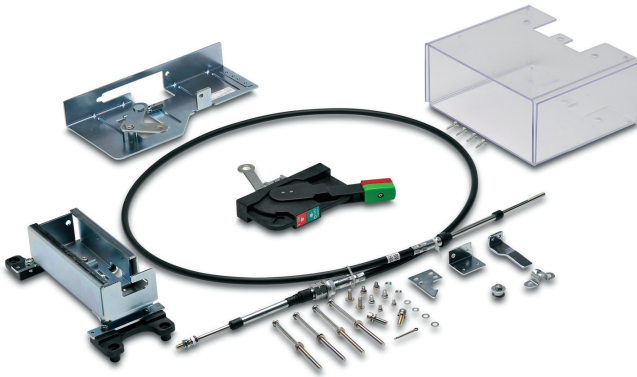
### 400A, 630A, 800A Frame V type handle

- BW9V0HA, BW9V0JA (BZ-VS2, BZ-VS2-24: optional shafts)



# Fuji Molded Case Circuit Breakers – Field-mountable Accessories

## Defeatable Flexible Handle Operating Mechanisms



BW9F0JA-20A shown

Flex Shaft Handles for Fuji MCCBs – Selection Guide			
Breaker Type	Handle Type	Price	Description
BW125	BW9F0CA-15A	\$237.00	Nema 12 flexible shaft handle for 125A frame. 59.06" (1.5m)cable
	BW9F0CA-20A	\$247.00	Nema 12 flexible shaft handle for 125A frame. 78.74" (2m) cable
BW250	BW9F0GA-15A	\$247.00	Nema 12 flexible shaft handle for 250A frame. 59.06" (1.5m)cable
	BW9F0GA-20A	\$257.00	Nema 12 flexible shaft handle for 250A frame. 78.74" (2m) cable
BW400*	BW9F0HA-15A	\$359.00	Nema 12 flexible shaft handle for 400A frame. 59.06" (1.5m)cable
	BW9F0HA-20A	\$369.00	Nema 12 flexible shaft handle for 400A frame. 78.74" (2m) cable
BW630* & BW800*	BW9F0JA-15A	\$388.00	Nema 12 flexible shaft handle for 630A or 800A frame. 59.06" (1.5m)cable
	BW9F0JA-20A	\$399.00	Nema 12 flexible shaft handle for 630A or 800A frame. 78.74" (2m) cable

\*Terminal covers for line side and load side included with Flange Disconnects. 2/pk

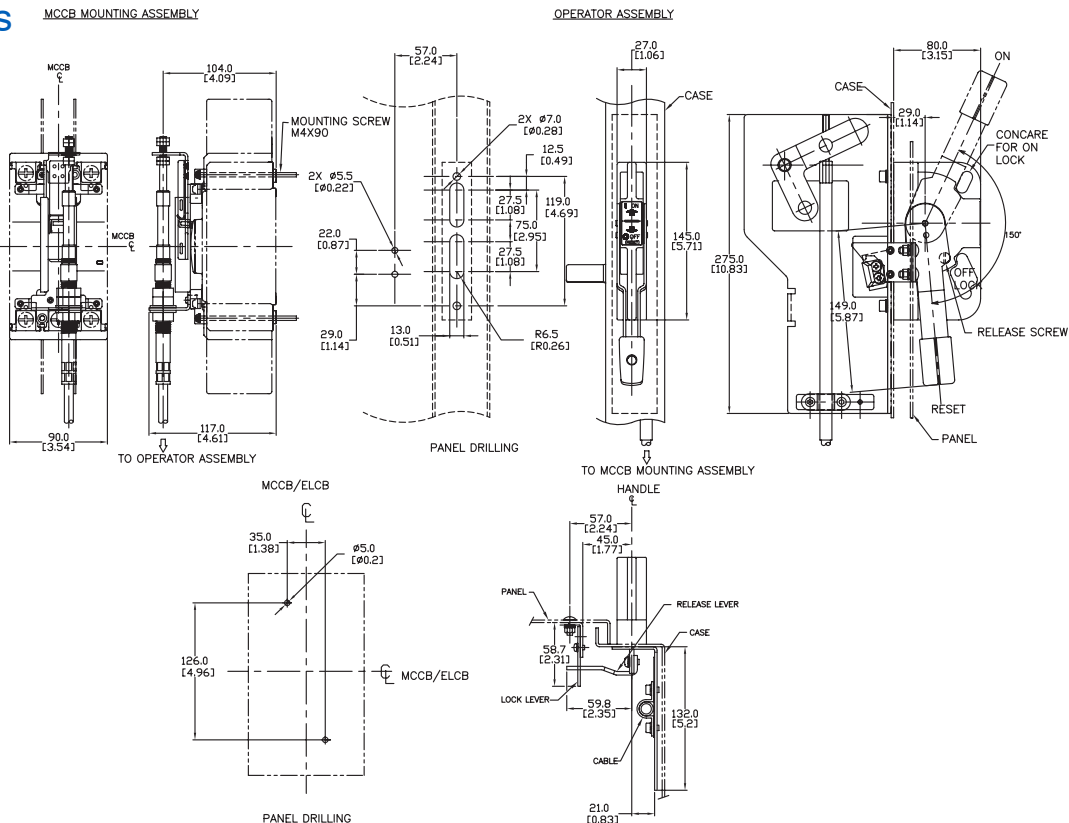
Flex Handle Specifications				
<b>Operating instructions</b>	<ul style="list-style-type: none"> <li>Operating handle facing up, Breaker is in ON position.</li> <li>Operating handle facing down, Breaker is in OFF position or is reset.</li> <li>Panel door cannot be opened when in ON, OFF or Trip position. In order to open the door, the handle must be turned toward reset position.</li> <li>Release screw is standard. If you want to open a panel door in ON position, please turn the release screw using flat head screwdriver.</li> </ul>			
<b>Frame Size</b>	<b>125A frame</b>	<b>250A frame</b>	<b>400A frame</b>	<b>630A/800 frame</b>
<b>Mechanical Endurance (cycles)</b>	10,000	8,000	6,000	6,000
<b>Ambient Temperature</b>	14 to 140F (- 10 to 40°C)			
<b>Relative Humidity</b>	less than 95% RH			
<b>Protection</b>	NEMA Type12 IP54 (IEC60529)			
<b>Conforming Standards</b>	NFPA 79(2007), ANSI(Lockout), OSHA(1910.147, Lockout/tagout), UL489(cUL)			
<b>Environment</b>	No excessive dust, smoke, corrosive gases, flammable gases, steam or salt.			

# Fuji Molded Case Circuit Breakers – Field-mountable Accessories

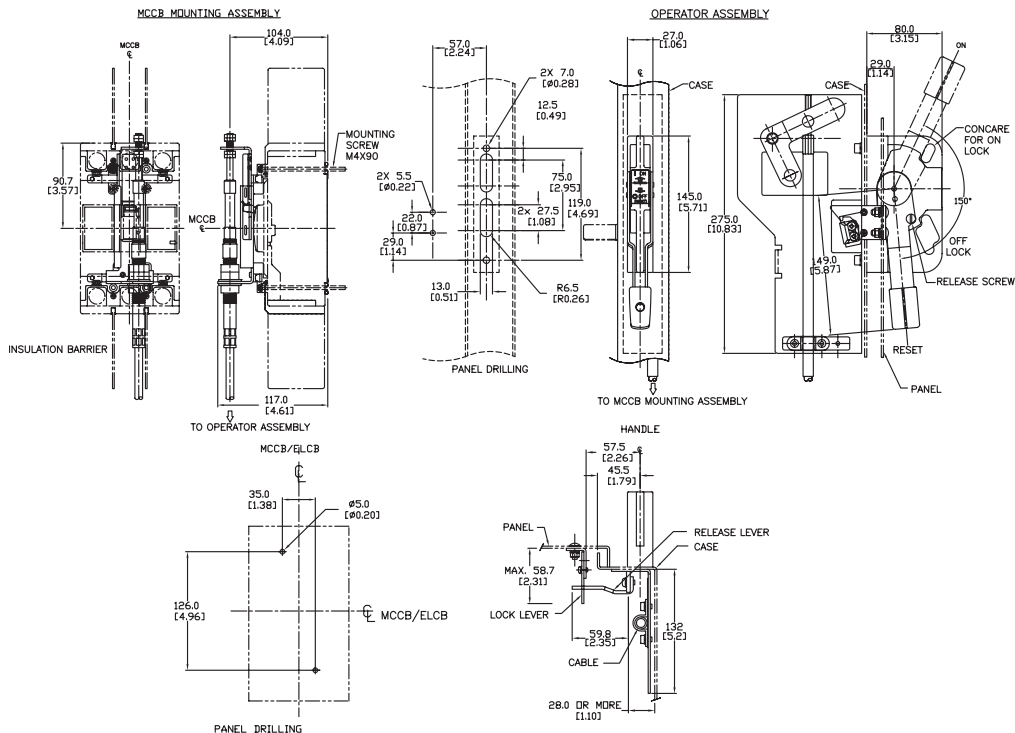
## Dimensions

Units: mm [inches]

### BW9F0CA



### BW9F0GA

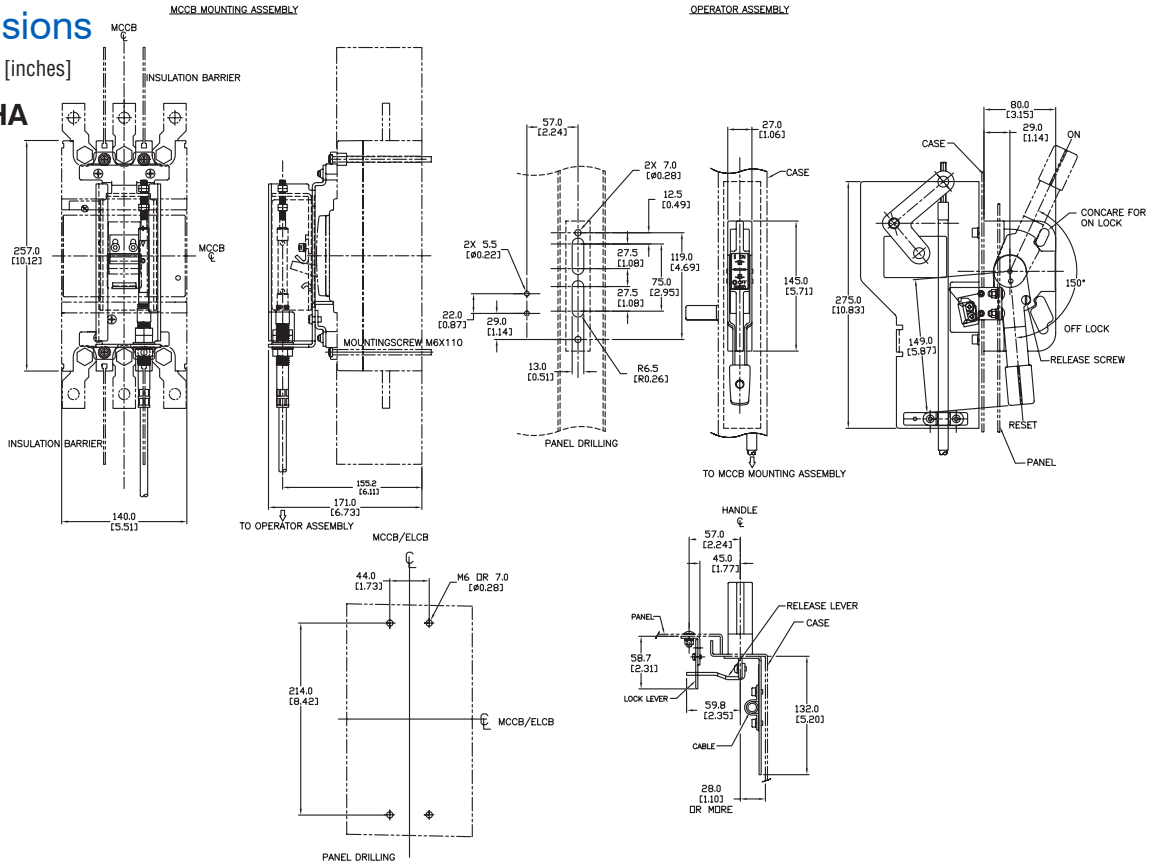


# Fuji Molded Case Circuit Breakers – Field-mountable Accessories

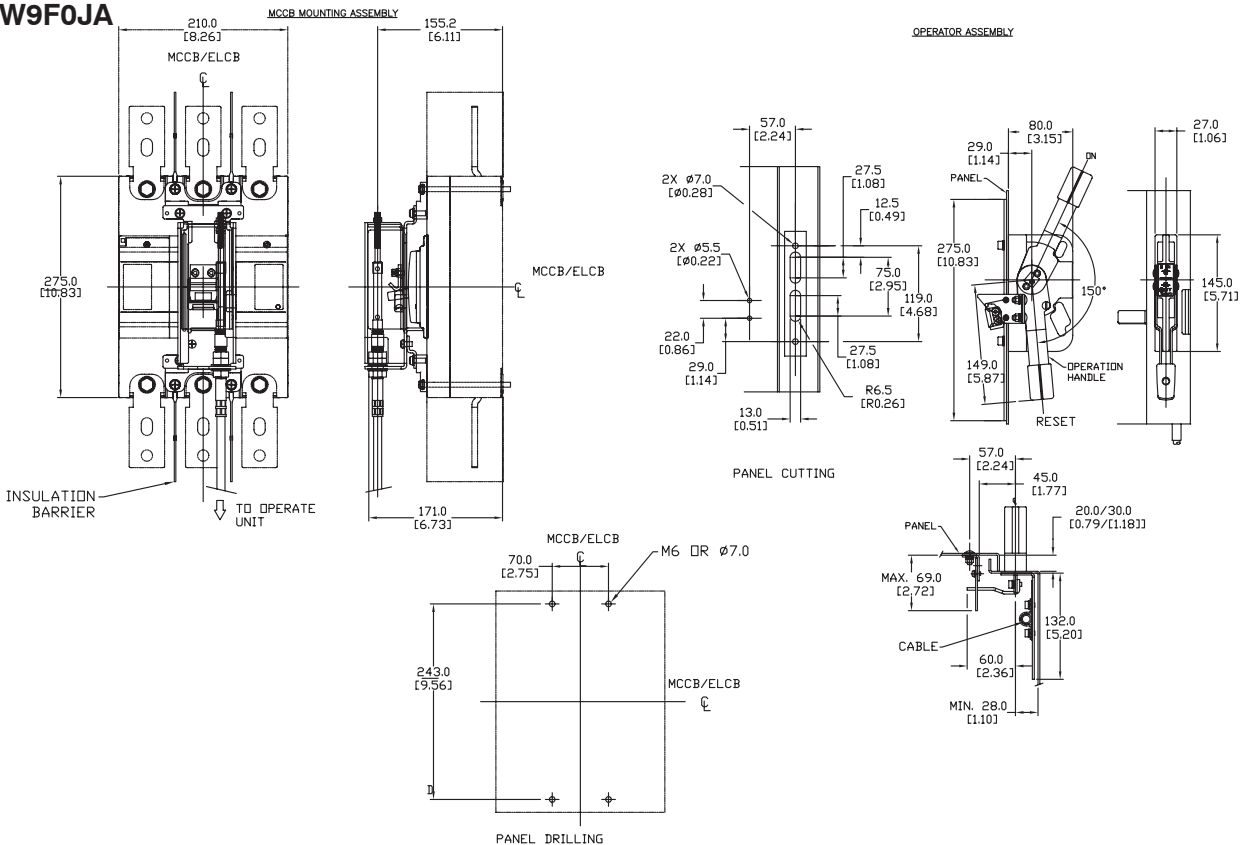
## Dimensions

Units: mm [inches]

### BW9F0HA



### BW9F0JA



- Company Information
- Terminal Blocks
- Power Distribution Blocks
- Wiring Accessories
- ZIPLink Connection System
- Multi-wire Connectors
- Sensor Cables and Connectors
- M12 Junction Blocks
- Panel Interface Connectors
- Wiring Duct
- Cable Ties
- Wire
- Flexible Cord
- Multi-conductor Flex Cable
- Data Cables
- Wire Management Products
- Power Supplies
- DC Converters
- Transformers and Filters

#### Circuit Protection

- Tools
- Test Equipment
- Enclosures
- Enclosure Climate Control
- Safety: Electrical Components
- Safety: Protective Wear
- Terms and Conditions

# Fuji Molded Case Circuit Breakers – Accessories



## Auxiliary Contacts

The auxiliary contacts are accessory contacts for the indication of circuit breaker open-closed or tripped.

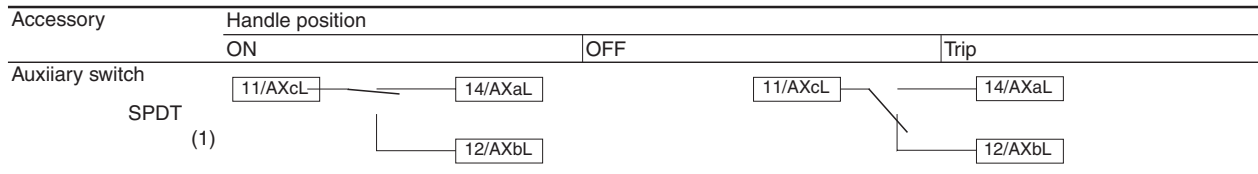


**BW9W1SHA shown**

Auxiliary Contacts for Fuji MCCBs – Selection Guide			
Breaker Type	Part Number	Price	Description
<b>BW125 BW250</b>	<b>BW9W1SGO</b>	\$24.00	Auxiliary switch for for 125A and 250A frame. Mounting left and right side
<b>BW400 BW630 BW800</b>	<b>BW9W1SHA</b>	\$22.50	Auxiliary switch for for 400A , 630A and 800A frame. Mounting left side ONLY

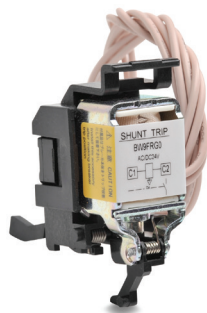
Ratings of Auxiliary Switches								
Standard Type								
Breaker Type	Rated Thermal Current (A)	Make/Break Current (A)						Minimum Load Current
		AC			DC			
		Voltage (V)	Res. Load	Ind. Load	Voltage (V)	Res. Load	Ind. Load	
<b>BW125, BW250, BW400 BW630, BW800</b>	5	24	5	5	24	4	3	5V DC 160 mA 30V DC 30 mA
		48	5	5	48	2.5	1	
		125	5	3	125	0.4	0.4	
		250	3	2	250	0.2	0.2	

### Operation of auxiliary switches



## Shunt Trips

Shunt Trip is for remote tripping (opening) of circuit breaker.



**BW9FRG0 shown**

Shunt Trips for Fuji MCCBs – Selection Guide		
Part Number	Price	Description
<b>BW9FRG0</b>	\$49.50	Field installable 24 VAC/VDC shunt trip for BW125 and BW250 series MCCB. Left and right side mounting. Lead wires 20AWG, 19.69" long.
<b>BW9FHA-R</b>	\$35.75	Field installable 24/48 VAC/VDC shunt trip for BW400, BW630 and BW800 series MCCB. Left side mounting only. Lead wires 20AWG, 19.69" long.
<b>BW9FAG0</b>	\$49.50	Field installable 100/120 VAC, 100-110 VDC shunt trip for BW125 and BW250 series MCCB. Left and right side mounting. Lead wires 20AWG, 19.69" long.
<b>BW9FHA-A</b>	\$49.50	Field installable 100/240 VAC, 100-220 VDC shunt trip for BW400, BW630 and BW800 series MCCB. Left side mounting only. Lead wires 20AWG, 19.69" long.

Ratings of Shunt Trips						
Breaker Type	AC		DC		Time Rating of Coil	Operating Time (ms)
	Voltage (V)	VA	Voltage (V)	W		
<b>BW125, BW250</b>	24	50	24	50	Continuous (with 1 N.O. contact to prevent coil burnout)	13-21
	100-120	50	100-110	50		
<b>BW400, BW630, BW800</b>	24-48	2	24-48	2	Continuous	8-20
	100-240	3	100-220	3		

**Note: Allowable operating voltage** AC voltage: 85% to 110% of coil rated voltage  
DC voltage: 75% to 125% of coil rated voltage

# Fuji Molded Case Circuit Breakers – Accessories



## Undervoltage Releases

Undervoltage Release will trip the circuit breaker when the connected voltage drops to less than 70% of undervoltage release voltage rating. It will allow the circuit breaker to close (ON) when voltage is approximately 85% of rated voltage.

Undervoltage Releases for Fuji MCCBs – Selection Guide			
Breaker Type	Part Number	Price	Description
BW125, BW250	BW9RGAR	\$49.50	Undervoltage Release 24V DC (Left side ONLY)
BW125, BW250	BW9RGAT	\$49.50	Undervoltage Release 110 to 130 VAC VAC/VDC (Left side ONLY)
BW400, BW630, BW800	BW9RHA-R	\$35.75	Undervoltage Release 24 VAC/VDC (Left side ONLY)
BW400, BW630, BW800	BW9RHA-1	\$35.75	Undervoltage Release 120 to 130 VAC 125 VDC (Left side ONLY)



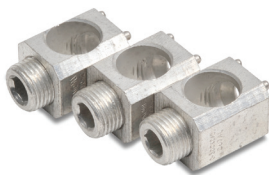
BW9RGAR shown

Breaker Type	AC		DC	
	Voltage (V)	VA	Voltage (V)	W
BW125*1 BW250*1	–	–	24	5
	110 - 130	5	–	–
BW400*2 BW630*2 BW800*2	24	2	24	2
	120 - 130	3	125	3

Note: Allowable operating voltage: AC voltage: 85% to 110% of coil rated voltage  
DC voltage: 75% to 125% of coil rated voltage.

\*1 Reset-allowed type: When the breaker handle is in the OFF or RESET state, tripping does not occur, even if the undervoltage trip coil is not energized. Turning ON with the undervoltage trip coil not energized causes normal tripping.

\*2 Reset-prohibited type: When the undervoltage trip coil is not energized, reset operation cannot reset the tripped breaker to the OFF state.



BW9SL0GA-3 shown

## Replacement Lugs

Replacement Lug Kits for Fuji MCCBs – Selection Guide		
Part Number	Price	Description
BW9SLOCA-3	\$38.75	Replacement lug kit for BW125 series MCCB. 75°C. Cu only Package of 3
BW9SLOGA-3	\$43.00	Replacement lug kit for BW250 series up to 175A MCCB. 75°C. Cu only Package of 3
BW9SL1GA-3	\$62.50	Replacement lug kit for BW250 MCCB series 200A to 250A. 75°C. Cu only Package of 3

Note: Terminals are factory-installed only for BW400, BW630 and BW800 series. No replacement terminals available.

# Fuji Molded Case Circuit Breakers – Accessories



## Terminal Covers

Terminal covers act as guards to shield the operator from touching live terminations. They fit either the line or load side.

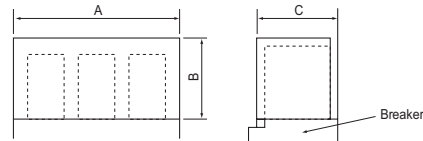


**BW9BTHA-L3W shown**

Terminal Covers for Fuji MCCBs – Selection Guide						
Breaker Series	Part Number	Price	Description	Dimensions inch (mm)		
				A	B	C
BW400	<b>BW9BTHA-L3W</b>	\$49.00	Gray-white Long type terminal cover for Fuji MCCBs. For line side and load side. 2/pk	6.772 (172)	4.331 (110)	3.858 (98)
BW630, BW800	<b>BW9BTJA-L3W</b>	\$52.00	Gray-white Long type terminal cover for Fuji MCCBs. For line side and load side. 2/pk	8.268 (210)	6.102 (155)	3.858 (98)

**Note:** Gray-white short type terminal covers are provided with breakers as standard for 125 and 250 Amp frames.

Dimensions of Terminal Covers: inch (mm)



## Lockout Attachment

Lockout Attachments for Fuji MCCBs – Selection Guide			
Breaker Series	Part Number	Price	Description
BW125 BW250	<b>BW9Q1CA</b>	\$12.00	Use to lock out BW125 and BW 250 series MCCBs. Lock not included
BW400, BW630, BW800	<b>BW9QNHA</b>	\$29.00	Use to lock out BW400, BW600 and BW800 MCCBs. Lock not included.



**BW9Q1CA shown**