

GT3-OSL LENSES FOR OSRAM OSLOL SSL SERIES OF LEDS



OSRAM
www.osram.com



- Specially designed for Osram OsloL SSL series of LEDs.
- Special care taken to make a uniform white or warm white illumination.
- Lens material optical grade PMMA with high UV and temperature resistance (105°C/220°F). Allows use of high current and temperature conditions
- Best available optical efficiency, up to 90%.
- No lens holder. Fastening to heat sink with droplets of glue
- Please check fastening details from this link:
(http://www.ledil.com/datasheets/DataSheet_GLUES.pdf)

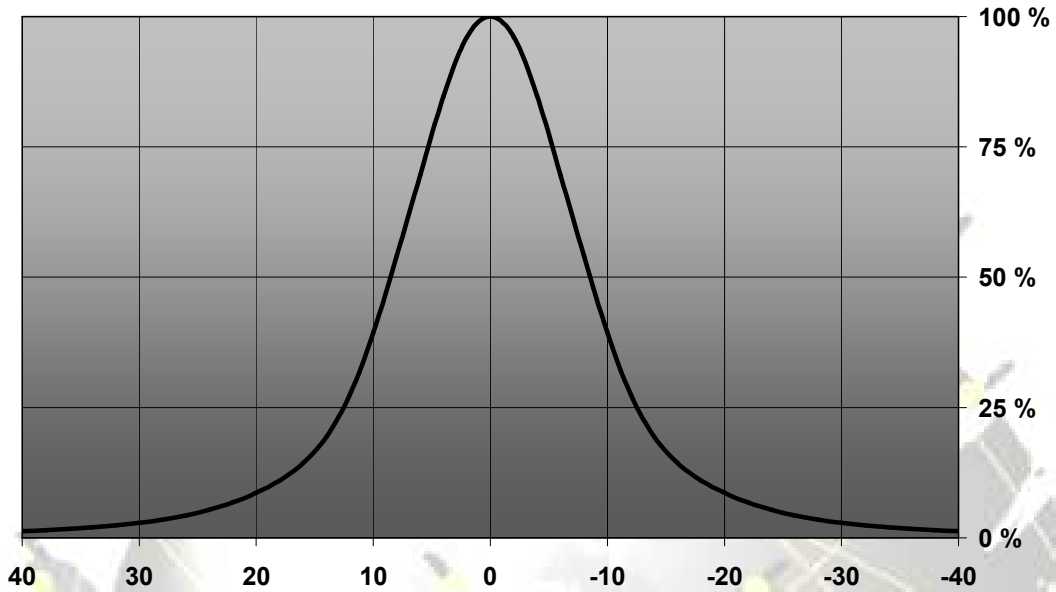
LENS TYPES

NAME	ORDERING CODE	FWHM
GT3-OSL Spot	C10891_GT3-OSL-S	±8.5°
GT3-OSL Medium	C10892_GT3-OSL-M	±14°
GT3-OSL Wide	C10893_GT3-OSL-W	±18°
GT3-OSL WW	C11624_GT3-OSL-WW	Coming soon

© Ledil Oy – PRELIMINARY - Subject to change without prior notice

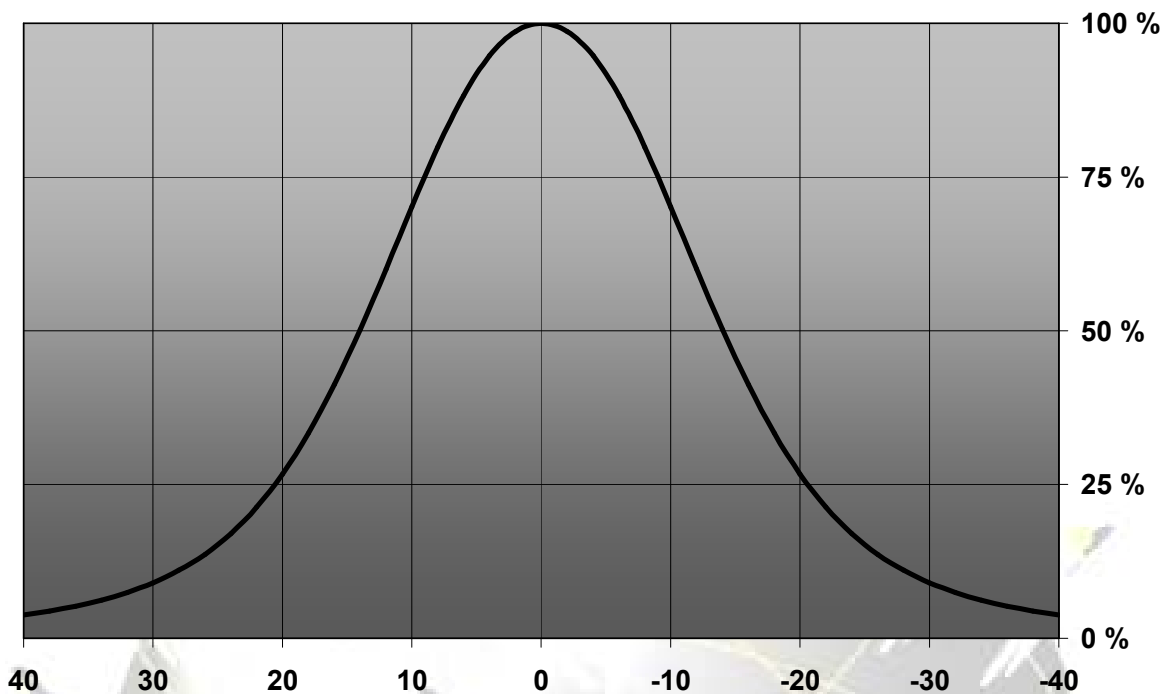
MEASUREMENT DATA

Relative intensity of C10891_GT3-OSL-S



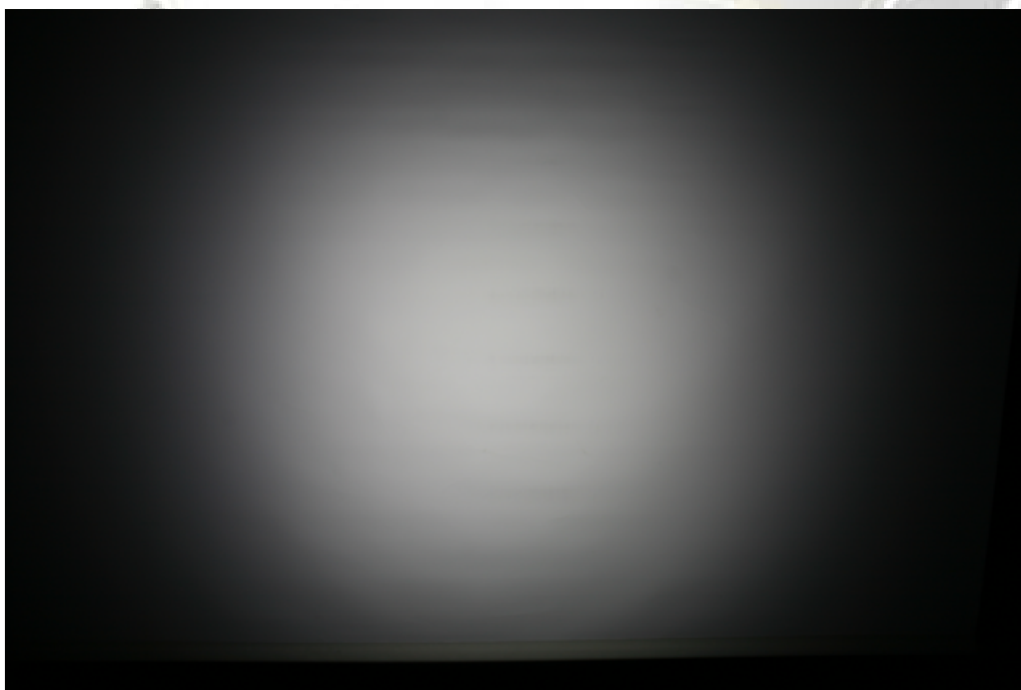
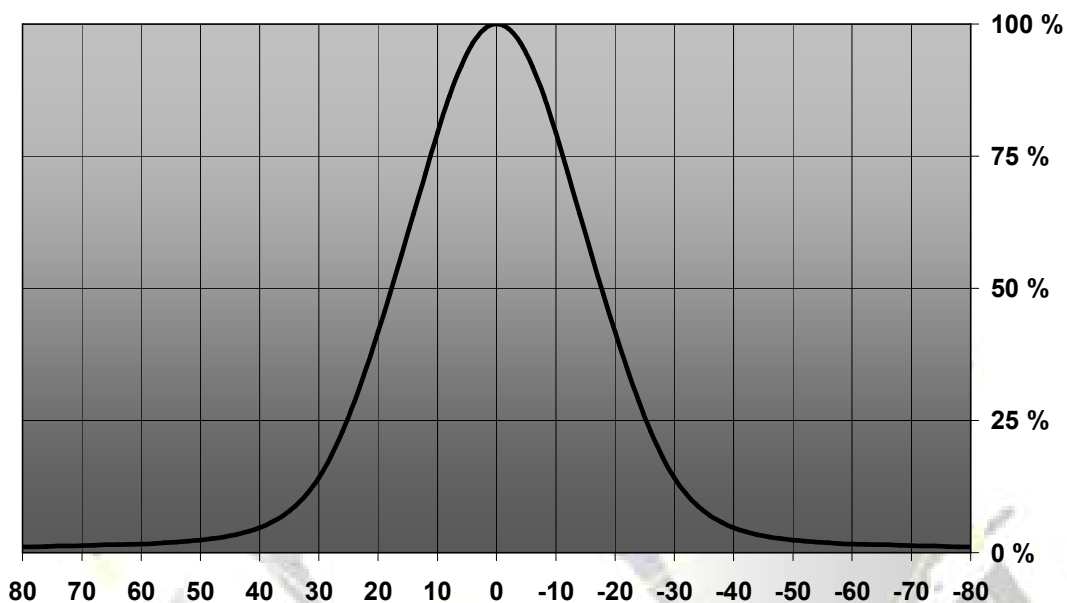
© Ledil Oy – PRELIMINARY - Subject to change without prior notice

Relative Intensity of C10892_GT3-OSL-M



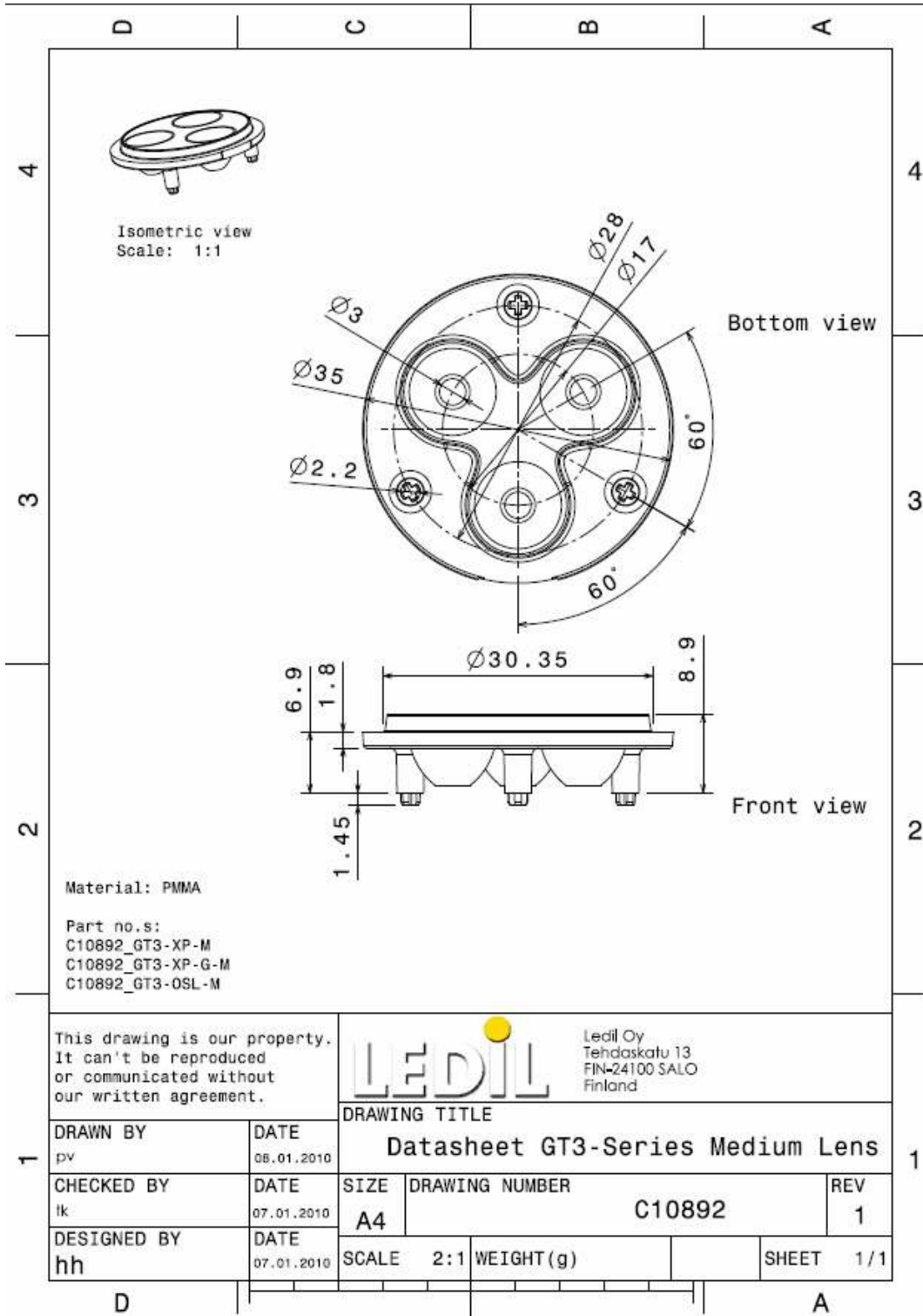
© Ledil Oy – PRELIMINARY - Subject to change without prior notice

Relative intensity of C10893_GT3-OSL-W



© Ledil Oy – PRELIMINARY - Subject to change without prior notice

DRAWINGS



© Ledi Oy - PRELIMINARY - Subject to change without prior notice