

Chip Ferrite Bead BLM21□□□□□□N1□ Reference Specification

1. Scope

This reference specification applies to Chip Ferrite Bead BLM21_□N Series.

2. Part Numbering

(ex.) $\frac{BL}{(1)}$ $\frac{M}{(2)}$ $\frac{21}{(3)}$ $\frac{AG}{(4)}$ $\frac{121}{(5)}$ $\frac{S}{(6)}$ $\frac{N}{(7)}$ $\frac{1}{(8)}$ $\frac{D}{(9)}$

(1)Product ID

(2)Type

(3)Dimension (LxW)

(4)Characteristics

(5)Typical Impedance at 100MHz

(6)Performance

(7)Category

(8)Numbers of Circuit

(9)Packaging

[D:Taping(φ 180mm Reel, Paper Tape)]

[L:Taping(φ 180mm Reel, Plastic Tape)]

[B:Bulk]

3. Rating

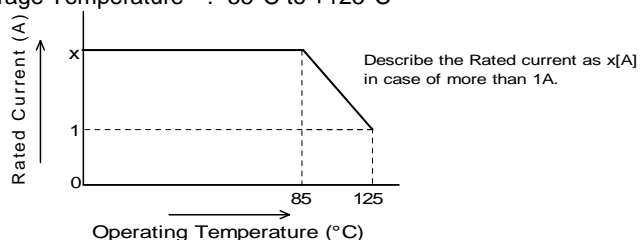
Customer Part Number	MURATA Part Number	Impedance (Ω) (at 100MHz, Under Standard Testing Condition)		Rated Current (mA)(*1)	DC Resistance (Ω) max.		Remark
		Typical			Initial Values	Values After Testing	
	BLM21RK121SN1D	120±25%	120	200	0.15	0.25	For Digital Interface
	BLM21RK121SN1B						
	BLM21RK221SN1D	220±25%	220	200	0.20	0.30	
	BLM21RK221SN1B						
	BLM21RK471SN1D	470±25%	470	200	0.25	0.35	
	BLM21RK471SN1B						
	BLM21RK601SN1D	600±25%	600	200	0.30	0.40	
	BLM21RK601SN1B						
	BLM21RK102SN1D	1000±25%	1000	200	0.50	0.60	
	BLM21RK102SN1B						
	BLM21PG220SN1D	22±25%	22	6000	0.009	0.018	For DC power line
	BLM21PG220SN1B						
	BLM21PG300SN1D	20 min.	30	4000	0.014	0.028	
	BLM21PG300SN1B						
	BLM21PG600SN1D	60±25%	60	3500	0.02	0.04	
	BLM21PG600SN1B						
	BLM21PG121SN1D	120±25%	120	3000	0.03	0.06	
	BLM21PG121SN1B						
	BLM21PG221SN1D	220±25%	220	2000	0.045	0.09	
	BLM21PG221SN1B						
	BLM21PG331SN1D	330±25%	330	1500	0.07	0.14	
	BLM21PG331SN1B						
	BLM21BB050SN1D	5±25%	5	1000	0.02	0.04	For high speed signal line
	BLM21BB050SN1B						
	BLM21BB600SN1D	60±25%	60	800	0.13	0.23	
	BLM21BB600SN1B						
	BLM21BB750SN1D	75±25%	75	700	0.16	0.26	
	BLM21BB750SN1B						
	BLM21BB121SN1D	120±25%	120	600	0.19	0.29	
	BLM21BB121SN1B						
	BLM21BD121SN1D	120±25%	120	200	0.25	0.35	
	BLM21BD121SN1B						
	BLM21BB151SN1D	150±25%	150	600	0.21	0.31	
	BLM21BB151SN1B						
	BLM21BD151SN1D	150±25%	150	200	0.25	0.35	
	BLM21BD151SN1B						

Customer Part Number	MURATA Part Number	Impedance (Ω) (at 100MHz, Under Standard Testing Condition)		Rated Current (mA)	DC Resistance (Ω) max.		Remark	
			Typical		Initial Values	Values After Testing		
	BLM21BB201SN1D BLM21BB201SN1B	200±25%	200	500	0.26	0.36	For high speed signal line	
	BLM21BB221SN1D BLM21BB221SN1B	220±25%	220	500	0.26	0.36		
	BLM21BD221SN1D BLM21BD221SN1B	220±25%	220	200	0.25	0.35		
	BLM21BB331SN1D BLM21BB331SN1B	330±25%	330	400	0.33	0.43		
	BLM21BD331SN1D BLM21BD331SN1B	330±25%	330	200	0.3	0.4		
	BLM21BD421SN1D BLM21BD421SN1B	420±25%	420	200	0.3	0.4		
	BLM21BB471SN1D BLM21BB471SN1B	470±25%	470	400	0.40	0.50		
	BLM21BD471SN1D BLM21BD471SN1B	470±25%	470	200	0.35	0.45		
	BLM21BD601SN1D BLM21BD601SN1B	600±25%	600	200	0.35	0.45		
	BLM21BD751SN1D BLM21BD751SN1B	750±25%	750	200	0.4	0.5		
	BLM21BD102SN1D BLM21BD102SN1B	1000±25%	1000	200	0.4	0.5		
	BLM21BD152SN1D BLM21BD152SN1B	1500±25%	1500	200	0.45	0.55		
	BLM21BD182SN1D BLM21BD182SN1B	1800±25%	1800	200	0.5	0.6		
	BLM21BD222SN1L BLM21BD222SN1B	1600 min.	2250	200	0.6	0.7		
	BLM21BD222TN1D BLM21BD222TN1B	2200±25%	2200	200	0.6	0.7		
	BLM21BD272SN1L BLM21BD272SN1B	2700±25%	2700	200	0.8	0.9		
	BLM21AG121SN1D BLM21AG121SN1B	120±25%	120	800	0.10	0.20		For general use
	BLM21AG151SN1D BLM21AG151SN1B	150±25%	150	800	0.10	0.20		
	BLM21AG221SN1D BLM21AG221SN1B	220±25%	220	800	0.13	0.23		
	BLM21AG331SN1D BLM21AG331SN1B	330±25%	330	700	0.16	0.26		
	BLM21AG471SN1D BLM21AG471SN1B	470±25%	470	700	0.19	0.29		
	BLM21AG601SN1D BLM21AG601SN1B	600±25%	600	600	0.21	0.31		
	BLM21AG102SN1D BLM21AG102SN1B	1000±25%	1000	500	0.28	0.38		

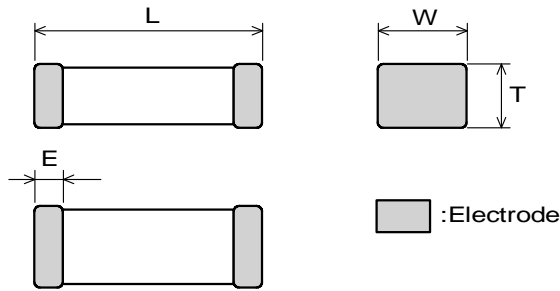
• Operating Temperature : -55°C to +125°C

• Storage Temperature : -55°C to +125°C

(*1) In case of Rated current is more than 1A, Rated Current is derated as right figure depending on the operating temperature.



4. Style and Dimensions



■ Equivalent Circuit



(Resistance element becomes dominant at high frequencies.)

■ Unit Mass (Typical value)
0.010g

L	W	T	E
2.0±0.2	1.25±0.2	0.85±0.2	0.5±0.2
		for 21BD222SN1□ 21BD272SN1□ 1.25±0.2	

(in mm)

5. Marking

No marking.

6. Standard Testing Conditions

< Unless otherwise specified >

Temperature : Ordinary Temp. (15 °C to 35 °C)

Humidity : Ordinary Humidity (25%(RH) to 85%(RH))

< In case of doubt >

Temperature : 20°C±2 °C

Humidity : 60%(RH) to 70%(RH)

Atmospheric pressure : 86kPa to 106kPa

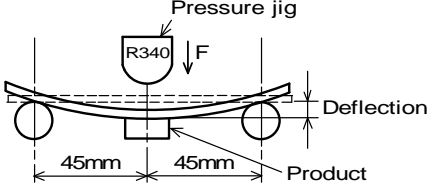
7. Specifications

7-1. Electrical Performance

No.	Item	Specification	Test Method
7-1-1	Impedance	Meet item 3.	Measuring Frequency : 100MHz±1MHz Measuring Equipment : Agilent4291A or the equivalent Test Fixture : Agilent16192A or the equivalent
7-1-2	DC Resistance	Meet item 3.	Measuring Equipment : Digital multi meter

7-2. Mechanical Performance

No.	Item	Specification	Test Method						
7-2-1	Appearance and Dimensions	Meet item 4.	Visual Inspection and measured with Slide Calipers.						
7-2-2	Bonding Strength	Meet Table 1. <table border="1" style="margin-left: 20px;"> <caption>Table 1</caption> <tr> <td>Appearance</td> <td>No damage</td> </tr> <tr> <td>Impedance Change (at 100MHz)</td> <td>Within ±30%</td> </tr> <tr> <td>DC Resistance</td> <td>Meet item 3.</td> </tr> </table>	Appearance	No damage	Impedance Change (at 100MHz)	Within ±30%	DC Resistance	Meet item 3.	It shall be soldered on the substrate. Applying Force(F) : 9.8N Applying Time : 5s±1s Applied direction:Parallel to substrate
Appearance	No damage								
Impedance Change (at 100MHz)	Within ±30%								
DC Resistance	Meet item 3.								

No.	Item	Specification	Test Method
7-2-3	Bending Strength	Meet Table 1.	<p>It shall be soldered on the substrate. Substrate: Glass-epoxy 100mm×40mm×1.6mm Deflection: 1.0mm Speed of Applying Force : 0.5mm/s Keeping Time : 30s</p> 
7-2-4	Vibration		<p>It shall be soldered on the substrate. Oscillation Frequency : 10Hz to 55Hz to 10Hz for 1 min Total Amplitude : 1.5mm Testing Time : A period of 2 hours in each of 3 mutually perpendicular directions. (Total 6 h)</p>
7-2-5	Resistance to Soldering Heat		<p>Pre-Heating : 150°C±10°C, 60s~90s Solder : Sn-3.0Ag-0.5Cu Solder Temperature : 270°C±5°C Immersion Time : 10s±0.5s Immersion and emersion rates : 25mm/s Then measured after exposure in the room condition for 48h±4h.</p>
7-2-6	Drop	Products shall be no failure after tested.	<p>It shall be dropped on concrete or steel board. Method : free fall Height : 75cm Attitude from which the product is dropped : 3 direction The number of times : 3 times for each direction (Total 9 times)</p>
7-2-7	Solderability	The electrodes shall be at least 95% covered with new solder coating.	<p>Flux : Ethanol solution of rosin,25(wt)% Pre-Heating : 150°C±10°C, 60s~90s Solder : Sn-3.0Ag-0.5Cu Solder Temperature : 240°C±5°C Immersion Time : 4s±1s Immersion and emersion rates : 25mm/s</p>

7-3. Environmental Performance

It shall be soldered on the substrate.

No.	Item	Specification	Test Method
7-3-1	Temperature Cycle	Meet Table 1.	<p>1 cycle : 1 step : -55 °C(+0 °C,-3 °C) / 30min±3min 2 step : Ordinary temp. / 10min to 15min 3 step : +125 °C(+3 °C,-0 °C) / 30min±3min 4 step : Ordinary temp. / 10min to 15min Total of 100 cycles Then measured after exposure in the room condition for 48h±4h.</p>
7-3-2	Humidity		<p>Temperature : 40°C±2°C Humidity : 90%(RH) to 95%(RH) Time : 1000h(+48h,-0h) Then measured after exposure in the room condition for 48h±4h.</p>
7-3-3	Heat Life		<p>Temperature : 125°C±3°C (in case of Rated current is more than 1A, do the test at : +85 °C±3°C) Applying Current : Rated Current Time : 1000h(+48h,-0h) Then measured after exposure in the room condition for 48h±4h.</p>
7-3-4	Cold Resistance		<p>Temperature : -55°C±2°C Time : 1000h(+48h,-0h) Then measured after exposure in the room condition for 48h±4h.</p>

8. Specification of Packaging
8-1. Appearance and Dimensions

Part Number	Type	Appearance and Dimensions	
		a	
BLM21 except [21BD222SN1L 21BD272SN1L]	8mm-wide Paper tape	1.1 max.	<p style="text-align: center;">*Dimension of the Cavity is measured at the bottom side.</p>
		1.3 ±0.1	

(in mm)

	Paper tape	Plastic tape
Taping	Products shall be packaged in the cavity of the base tape of 8mm-wide, 4mm-pitch continuously and sealed by top tape and bottom tape.	Products shall be packaged in the each embossed cavity of 8mm-wide, 4mm-pitch plastic tape continuously and sealed by cover tape.
Sprocket hole	The sprocket holes are to the right as the tape is pulled toward the user.	
Spliced point	The base tape and top tape have no spliced point.	The cover tape has no spliced point.
Cavity	There shall not be burr in the cavity.	—
Missing components number	Missing components number within 0.1% of the number per reel or 1 pc., whichever is greater, and are not continuous. The specified quantity per reel is kept.	

8-2. Tape Strength

(1) Pull Strength

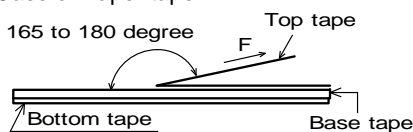
Paper tape	Top tape	5N min.
	Bottom tape	
Plastic tape	Plastic tape	5N min.
	Cover tape	10N min.

(2) Peeling off force of Top tape · Cover tape

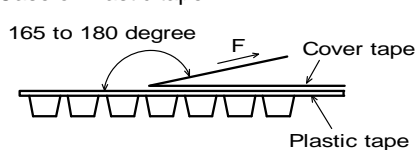
Speed of Peeling off	300mm/min	
Peeling off force *	Paper tape	0.1N to 0.6N
	Plastic tape	0.2N to 0.7N

* Minimum value is typical.

• Case of Paper tape



• Case of Plastic tape



9. ⚠ Caution**9-1. Surge current**

Excessive surge current (pulse current or rush current) than specified rated current applied to the product may cause a critical failure, such as an open circuit, burnout caused by excessive temperature rise.

Please contact us in advance in case of applying the surge current.

9-2. Limitation of Applications

Please contact us before using our products for the applications listed below which require especially high reliability for the prevention of defects which might directly cause damage to the third party's life, body or property.

- | | |
|----------------------------------|--|
| (1)Aircraft equipment | (6)Disaster prevention / crime prevention equipment |
| (2)Aerospace equipment | (7)Traffic signal equipment |
| (3)Undersea equipment | (8)Transportation equipment (vehicles, trains, ships, etc.) |
| (4)Power plant control equipment | (9)Applications of similar complexity and /or reliability requirements to the applications listed in the above |
| (5)Medical equipment | |

10. Notice

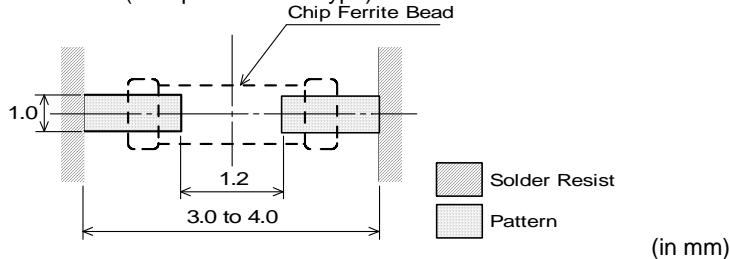
This product is designed for solder mounting.

Please consult us in advance for applying other mounting method such as conductive adhesive.

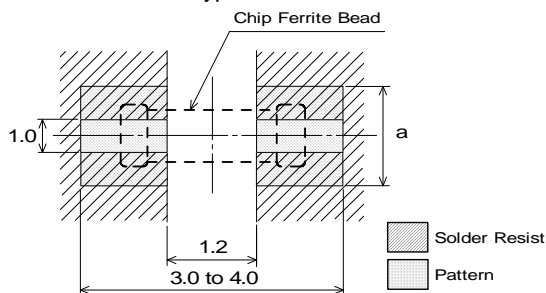
10-1. Land pattern designing

- Standard land dimensions

< BLM21 series(except BLM21PG type) >



< For BLM21PG type >



Type	Rated Current (A)	Land pad thickness and dimension a		
		18μm	35μm	70μm
BLM21PG	1.5	1.0	1.0	1.0
	2	1.2	1.0	1.0
	3~4	2.4	1.2	1.0
	6	6.4	3.3	1.65

(in mm)

*The excessive heat by land pads may cause deterioration at joint of products with substrate.

10-2. Soldering Conditions

Products can be applied to reflow and flow soldering.

(1) Flux, Solder

Flux	Use rosin-based flux, but not highly acidic flux (with chlorine content exceeding 0.2(wt)%.) Do not use water-soluble flux.
Solder	Use Sn-3.0Ag-0.5Cu solder Standard thickness of solder paste : 100 μm to 200 μm

(2) Soldering conditions

- Pre-heating should be in such a way that the temperature difference between solder and ferrite surface is limited to 150°C max. Also cooling into solvent after soldering should be in such a way that the temperature difference is limited to 100°C max.

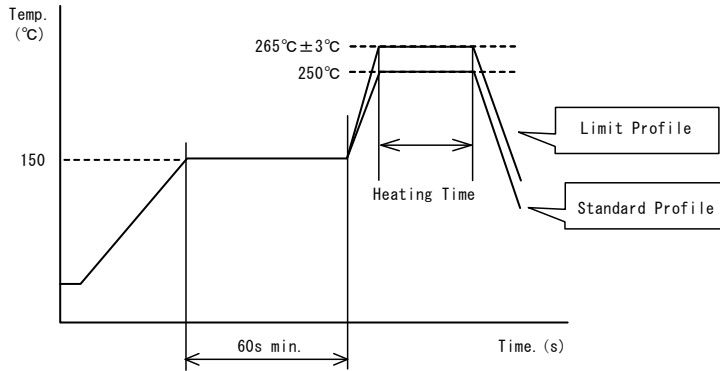
Insufficient pre-heating may cause cracks on the ferrite, resulting in the deterioration of product quality.

- Standard soldering profile and the limit soldering profile is as follows.

The excessive limit soldering conditions may cause leaching of the electrode and / or resulting in the deterioration of product quality.

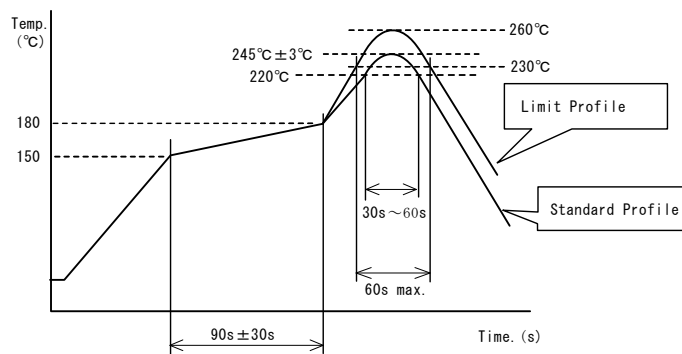
(3) soldering profile

Flow soldering profile



	Standard Profile	Limit Profile
Pre-heating	150°C、60s min.	
Heating	250°C、4~6s	265°C±3°C、5s max.
Cycle of flow	2 times	2 times

Reflow soldering profile



	Standard Profile	Limit Profile
Pre-heating	150~180°C、90s±30s	
Heating	above 220°C、30s~60s	above 230°C、60s max.
Peak temperature	245±3°C	260°C、10s
Cycle of reflow	2 times	2 times

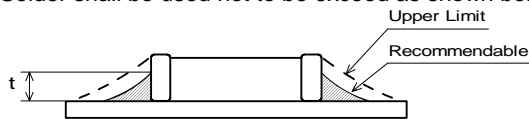
10-3. Reworking with soldering iron

- Pre-heating: 150°C, 1 min
- Tip temperature: 350°C max.
- Soldering time : 3(+1,-0) seconds.
- Soldering iron output: 80W max.
- Tip diameter: φ 3mm max.
- Times : 2times max.

Note :Do not directly touch the products with the tip of the soldering iron in order to prevent the crack on the ferrite material due to the thermal shock.

10-4. Solder Volume

Solder shall be used not to be exceed as shown below.



$$\frac{1}{3}T \leq t \leq T$$

(T:Chip thickness)

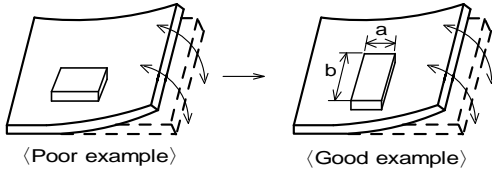
Accordingly increasing the solder volume, the mechanical stress to product is also increased. Exceeding solder volume may cause the failure of mechanical or electrical performance.

10-5. Attention regarding P.C.B. bending

The following shall be considered when designing and laying out P.C.B.'s.

- (1) P.C.B. shall be designed so that products are not subjected to the mechanical stress for board warpage.

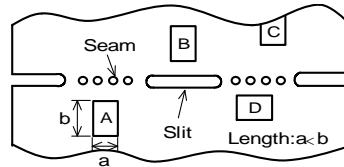
<Products direction>



Products shall be located in the sideways direction (Length: $a < b$) to the mechanical stress.

- (2) Products location on P.C.B. separation.

Products (A, B, C, D) shall be located carefully so that products are not subject to the mechanical stress due to warping the board. Because they may be subjected the mechanical stress in order of $A > C > B \cong D$.

**10-6. Mounting density**

Add special attention to radiating heat of products when mounting the inductor near the products with heating. The excessive heat by other products may cause deterioration at joint of this product with substrate.

10-7. Operating Environment

Do not use this product under the following environmental conditions, on deterioration of the Insulation Resistance of the Ferrite material and/or corrosion of Inner Electrode may result from the use.

- (1) in the corrodible atmosphere (acidic gases, alkaline gases, chlorine, sulfur gases, organic gases and etc.)
- (2) in the atmosphere where liquid such as organic solvent, may splash on the products.
- (3) in the atmosphere where the temperature / humidity changes rapidly and it is easy to dew.

10-8. Resin coating

The impedance value may change and/or it may affect on the product's performance due to high cure-stress of resin to be used for coating / molding products. So please pay your careful attention when you select resin. In prior to use, please make the reliability evaluation with the product mounted in your application set.

10-9. Cleaning Conditions

Products shall be cleaned on the following conditions.

- (1) Cleaning temperature shall be limited to 60°C max. (40°C max. for IPA.)
- (2) Ultrasonic cleaning shall comply with the following conditions, avoiding the resonance phenomenon at the mounted products and P.C.B.
 - Power: 20W/ℓ max. Frequency: 28kHz to 40kHz Time: 5 min max.
- (3) Cleaner
 1. Alternative cleaner
 - Isopropyl alcohol (IPA)
 2. Aqueous agent
 - PINE ALPHA ST-100S
- (4) There shall be no residual flux and residual cleaner after cleaning.
 - In the case of using aqueous agent, products shall be dried completely after rinse with de-ionized water in order to remove the cleaner.
- (5) Other cleaning
 - Please contact us.

10-10. Handling of a substrate

After mounting products on a substrate, do not apply any stress to the product caused by bending or twisting to the substrate when cropping the substrate, inserting and removing a connector from the substrate or tightening screw to the substrate.

Excessive mechanical stress may cause cracking in the product.

**10-11 Storage Conditions****(1) Storage period**

Use the products within 6 months after delivered.

Solderability should be checked if this period is exceeded.

(2) Storage conditions

- Products should be stored in the warehouse on the following conditions.

Temperature : -10°C to 40°C

Humidity : 15% to 85% relative humidity

No rapid change on temperature and humidity

- Don't keep products in corrosive gases such as sulfur, chlorine gas or acid, or it may cause oxidization of electrode, resulting in poor solderability.
- Products should be stored on the palette for the prevention of the influence from humidity, dust and so on.
- Products should be stored in the warehouse without heat shock, vibration, direct sunlight and so on.
- Products should be stored under the airtight packaged condition.

(3) Delivery

Care should be taken when transporting or handling product to avoid excessive vibration or mechanical shock.

11. ⚠ Note

(1) Please make sure that your product has been evaluated in view of your specifications with our product being mounted to your product.

(2) You are requested not to use our product deviating from the agreed specifications.

(3) The contents of this reference specification are subject to change without advance notice. Please approve our product specifications or transact the approval sheet for product specifications before ordering.