

## Features

- Recommended for reflow processing
- Rotor design compatible with pick and place and automatic adjustment equipment
- Supplied in 8 mm embossed tape, compatible with automatic assembly equipment
- Rear adjust version available
- 3 mm size meets EIA/EIAJ standard trimmer footprint
- RoHS compliant\* - see [processing information](#) on RoHS compliant surface mount trimmers
- For trimmer applications/processing guidelines, [click here](#)

## 3303 - 3 mm SMD Trimpot® Trimming Potentiometer

### Electrical Characteristics

Standard Resistance Range ..... 100 ohms to 1 megohm  
 (see standard resistance table)  
 Resistance Tolerance ..... ±25 % std.  
 Absolute Minimum Resistance  
 ≤ 1K Ohms ..... 20 ohms max.  
 >1K Ohms ..... 2 % max. of TR  
 Contact Resistance Variation . 5 % max.  
 Resolution ..... Infinite  
 Adjustment Angle ..... 260 ° ±20 °

### Environmental Characteristics

Resistance to Soldering Heat  
 ...260 °C, 10 seconds, TRS max. 5 %  
 Power Rating (50 VDC max.)  
 70 °C ..... 0.15 watt  
 Temperature Range ... -40 °C to +125 °C  
 Temperature Coefficient ... ±250 ppm/°C  
 Humidity ..... 95 %RH  
 500 hours  
 TRS max. .... ±5 %  
 Load Life  
 .....@ 70 °C rated power 500 hours  
 TRS ± 5 %  
 Rotational Cycling ..... 20 turns  
 TRS ± 15 %

### Physical Characteristics

Torque..... 20-200 g-cm max.  
 Mechanical Angle ..... Continuous  
 Marking..... Part marking code  
 Standard Packaging  
 ..... 2000 pcs./7 " reel  
 Adjustment Tool..... H-90  
 Aqueous cleaning not recommended.

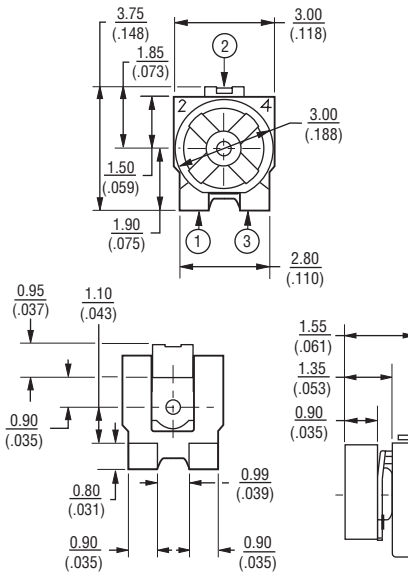
### How To Order

**3303 X - 3 - 103 E**

Model \_\_\_\_\_  
 Style \_\_\_\_\_  
 Orientation of Parts In Tape:  
 • Styles W, C -Terminals Toward Sprocket Holes  
 • Styles X, D - Terminals Away From Sprocket Holes (preferred)  
 Standard or Modified Product Indicator \_\_\_\_\_  
 -1 = Single Slot (C, D Pin Styles Only)  
 -3 = Cross Slot Low Profile (W, X Pin Styles Only)  
 Resistance Code \_\_\_\_\_  
 Embossed Tape Designator \_\_\_\_\_  
 Consult factory for other available options.

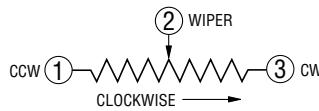
### Product Dimensions

**3303W, X-3**  
**3mm Open Frame**  
**for Reflow Soldering**  
**3-Terminal**  
**Low Profile**

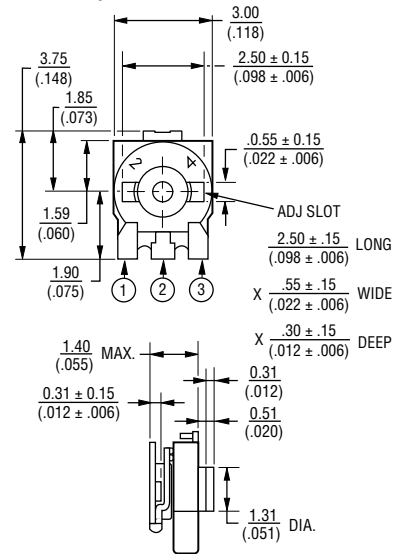


SUGGESTED PWB LAYOUT

DIMENSIONS:  $\frac{\text{MM}}{\text{(INCHES)}}$   
 TOLERANCES: ±  $\frac{0.30}{(.012)}$  EXCEPT WHERE NOTED



**3303C,D-1**  
**3-Terminal**  
**Both Sides Adjust**



SUGGESTED PWB LAYOUT

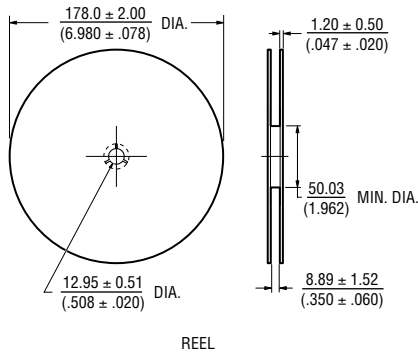
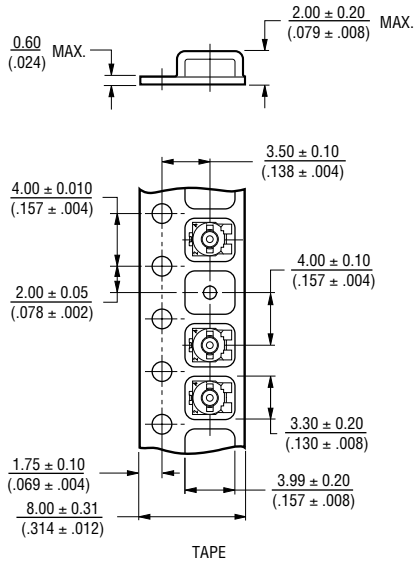
DIMENSIONS:  $\frac{\text{MM}}{\text{(INCHES)}}$   
 TOLERANCES: ±  $\frac{0.38}{(.015)}$  EXCEPT WHERE NOTED

\*RoHS Directive 2002/95/EC Jan 27, 2003 including Annex. Specifications are subject to change without notice. Customers should verify actual device performance in their specific applications.

# 3303 - 3 mm SMD Trimpot® Trimming Potentiometer

**BOURNS®**

## Packaging Specifications



Meets EIA 481

DIMENSIONS:  $\frac{\text{MM}}{\text{(INCHES)}}$

TOLERANCES:  $\pm \frac{0.25}{(.010)}$  EXCEPT WHERE NOTED

## Standard Resistance Table

Resistance (Ohms)	Part Marking Code	Resistance Code
100	12	101
200	22	201
500	52	501
<b>1,000</b>	<b>13</b>	<b>102</b>
<b>2,000</b>	<b>23</b>	<b>202</b>
<b>5,000</b>	<b>53</b>	<b>502</b>
<b>10,000</b>	<b>14</b>	<b>103</b>
<b>20,000</b>	<b>24</b>	<b>203</b>
50,000	54	503
100,000	15	104
200,000	25	204
500,000	55	504
1,000,000	16	105

Popular distribution resistance values listed in boldface. Special resistances available.

REV. 06/11

"Trimpot" is a registered trademark of Bourns, Inc.  
 Specifications are subject to change without notice.  
 Customers should verify actual device performance in their specific applications.

# Mouser Electronics

Authorized Distributor

Click to View Pricing, Inventory, Delivery & Lifecycle Information:

## Bourns:

[3303X-3-103E](#) [3303X-3-105E](#) [3303W-3-105E](#) [3303X-3-101E](#) [3303W-3-101E](#) [3303C-1-201E](#) [3303C-1-202E](#)  
[3303C-1-204E](#) [3303C-1-203E](#) [3303X-3-502E](#) [3303X-3-501E](#) [3303X-3-504E](#) [3303W-3-503E](#) [3303X-3-503E](#) [3303W-](#)  
[3-501E](#) [3303W-3-502E](#) [3303C-1-501E](#) [3303C-1-503E](#) [3303C-1-502E](#) [3303C-1-102E](#) [3303W-3-202E](#) [3303X-3-202E](#)  
[3303W-3-104E](#) [3303W-3-504E](#) [3303X-3-204E](#) [3303W-3-204E](#) [3303X-3-203E](#) [3303W-4-101E](#) [3303W-4-102E](#)  
[3303W-4-103E](#) [3303W-4-104E](#) [3303W-4-105E](#) [3303W-4-201E](#) [3303W-4-202E](#) [3303W-4-203E](#) [3303W-4-204E](#)  
[3303W-4-501E](#) [3303W-4-502E](#) [3303W-4-503E](#) [3303W-4-504E](#) [3303X-4-101E](#) [3303X-4-102E](#) [3303X-4-103E](#)  
[3303X-4-104E](#) [3303X-4-105E](#) [3303X-4-201E](#) [3303X-4-202E](#) [3303X-4-203E](#) [3303X-4-204E](#) [3303X-4-501E](#) [3303X-4-](#)  
[502E](#) [3303X-4-503E](#) [3303X-4-504E](#) [3303X-3-201E](#) [3303W-3-201E](#) [3303W-3-203E](#) [3303X-3-302E](#) [3303D-1-103E](#)  
[3303C-1-101E](#) [3303C-1-105E](#) [3303C-1-104E](#) [3303C-1-103E](#) [3303D-1-502E](#) [3303X-3-102E](#) [3303W-3-102E](#) [3303X-](#)  
[3-104E](#) [3303W-3-103E](#) [3303D-1-102E](#) [3303D-1-202E](#) [3303D-1-501E](#)